

## DATA SHEET

# ARUBA OUTDOOR 4X4 MIMO ANTENNA

AP-ANT-48

AP-ANT-48 is a multi-polarized antenna with nominal 60° H x 60° V beamwidths. This antenna is well suited for 2.4 and 5 GHz sector coverage for access.

### FREQUENCY/NOMINAL GAIN

- 4.9-6.0 GHz/8.5 dBi min
- 2.4-2.5 GHz/8.5 dBi min

### DIMENSIONS

- 190 mm x 190 mm x 44 mm (Excluding wall mount flanges)

### POLARIZATION

- +/- 45°
- +/- 135°

### WEIGHT

- 700 g

### BEAMWIDTH

- Horizontal plane: 70° @ 2.4 GHz  
Vertical plane: 70° @ 2.4 GHz
- Horizontal plane: 56° @ 5.x GHz  
Vertical plane: 56° @ 5.x GHz

### HOUSING

- Housing: Aluminum
- Radome: Plastic

### IMPEDANCE

- 50 ohms

### CONNECTION

- 30 cm RPSMA terminated pigtails

### MAXIMUM INPUT POWER

- 6 watts

### OPERATING TEMPERATURE

- -45° C to +65° C

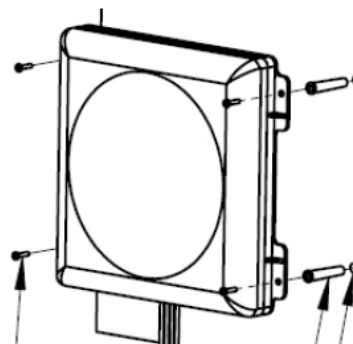


### VSWR

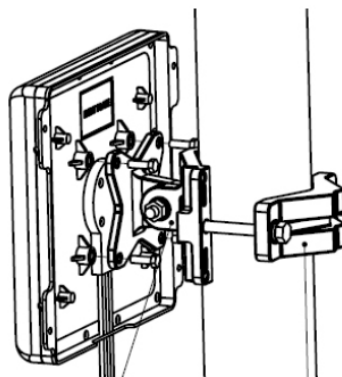
- 2:1 max

### INSTALLATION HARDWARE

- Mount kit for wall and pole included.



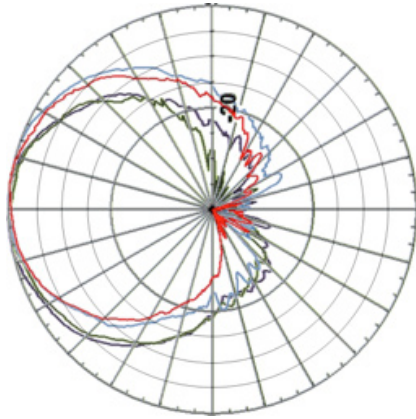
Wall mount



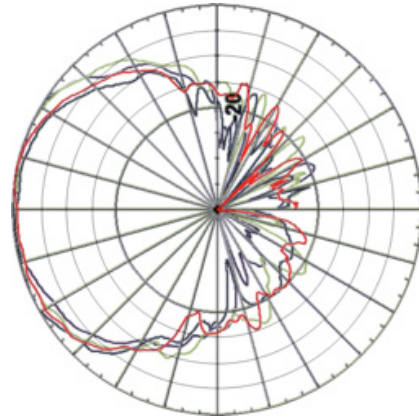
With Pole Mount Kit

## ANTENNA PATTERN PLOTS

Vertical patterns

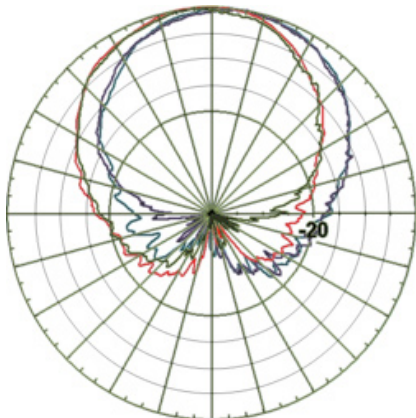


5.x GHz

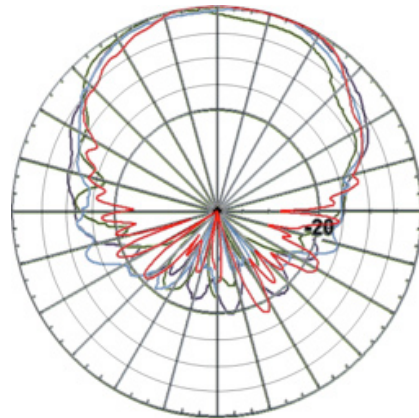


2.4 GHz

Horizontal patterns



5.x GHz



2.4 GHz