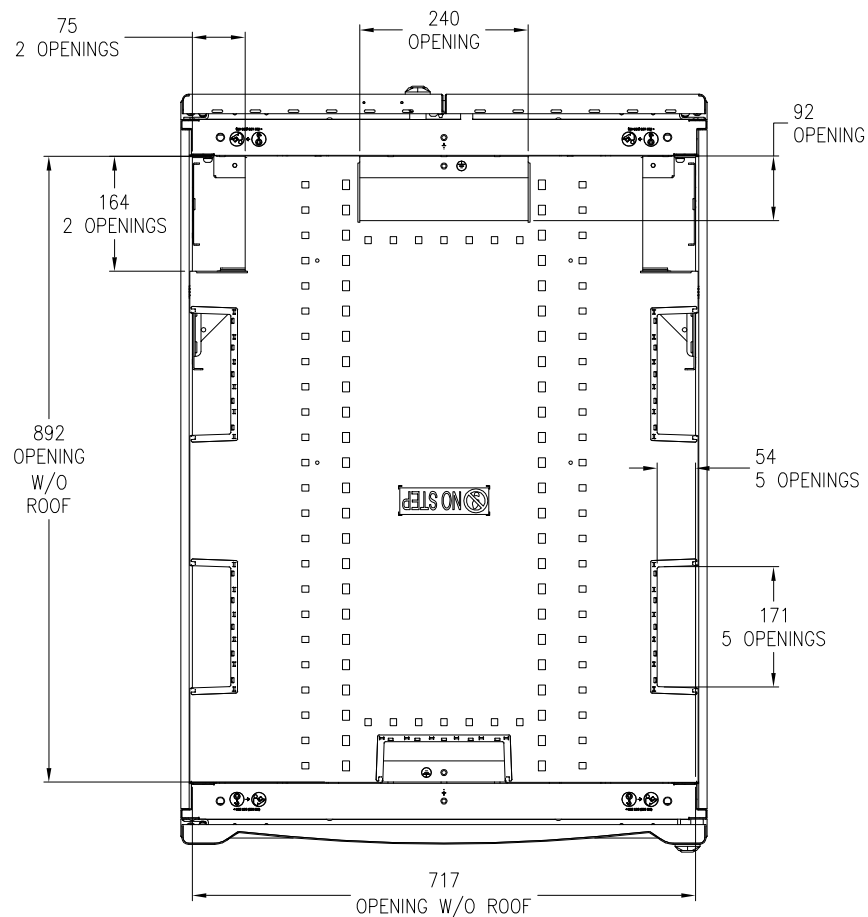
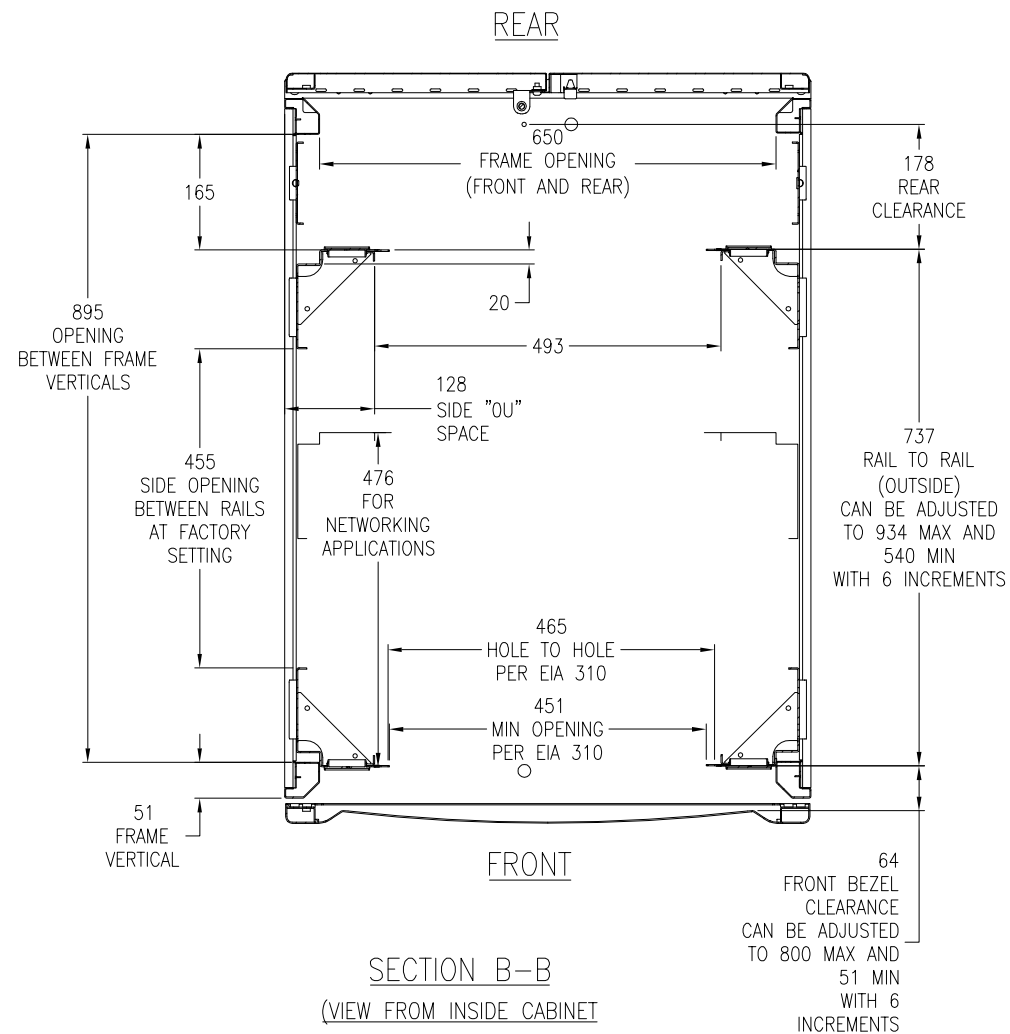


- NOTES:
1. ALL DIMENSIONS ARE IN MILLIMETERS.
 2. CABLE ENTRY IS TOP OR BOTTOM OF UNIT.
 3. FRONT AND REAR SERVICE ACCESS.
 4. NET WEIGHT OF UNIT IS 169 Kg.
 5. INSTALLATION MUST COMPLY WITH NATIONAL AND LOCAL ELECTRICAL REGULATIONS.

THIS DRAWING AND SPECIFICATIONS HEREIN ARE THE PROPERTY OF AMERICAN POWER CONVERSION AND SHALL NOT BE COPIED, REPRODUCED OR USED IN WHOLE OR IN PART, AS THE BASIS FOR THE MANUFACTURE OR SALE OF ITEMS WITHOUT WRITTEN PERMISSION FROM APC. THIS DRAWING IS BASED UPON LATEST AVAILABLE INFORMATION AND IS SUBJECT TO CHANGE WITHOUT NOTICE.		TITLE: NETSHELTER SX 48U ENCLOSURE 750mm W x 1070mm D WITH SIDES MAIN MECHANICAL		DWG NO: AR3157 - MM1	REV. —
PROJECT: SUBMITTAL DRAWING	SHEET 1 OF 3	DRAWN: BALAMURUGAN	07/02/06	CHECKED: J.BERGESCH	23/02/06
		ENGINEER: C.LARSEN/S.WAGH	23/02/06	 AMERICAN POWER CONVERSION 132 FABRICATIONS RD WEST KINGSTON, RI 02892	



TOP VIEW
CABLE OPENINGS
(COVERS REMOVED)

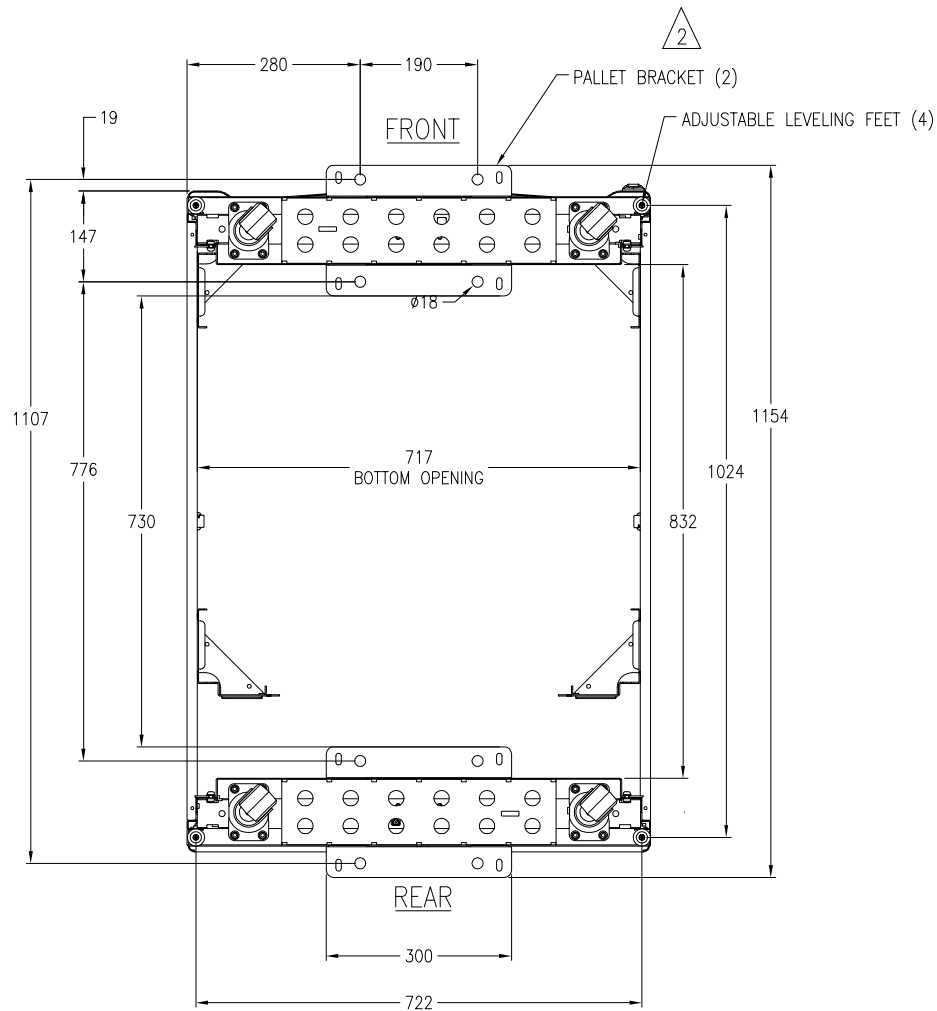


SECTION B-B
(VIEW FROM INSIDE CABINET
LOOKING DOWN)

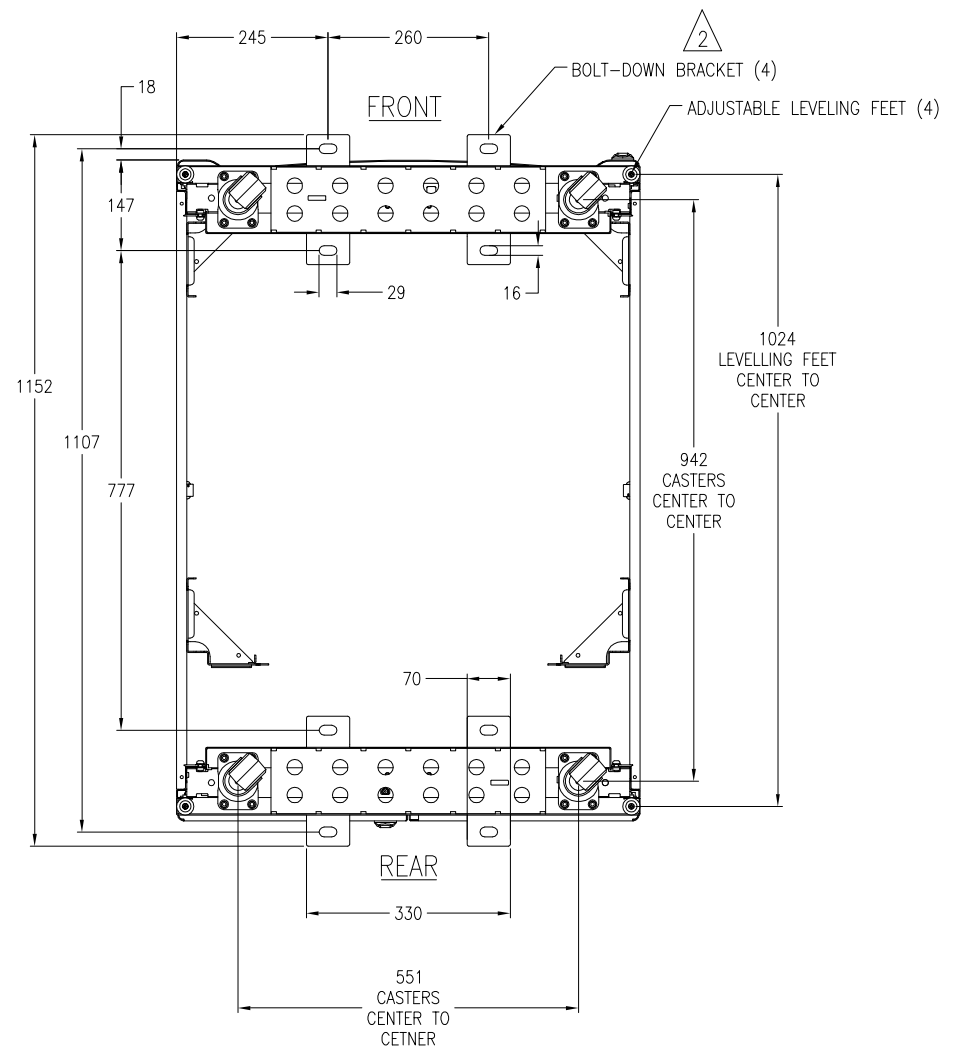
NOTES:

1. ALL DIMENSIONS ARE IN MILLIMETERS.
2. INSTALLATION MUST COMPLY WITH NATIONAL AND LOCAL ELECTRICAL REGULATIONS.

THIS DRAWING AND SPECIFICATIONS HEREIN ARE THE PROPERTY OF AMERICAN POWER CONVERSION AND SHALL NOT BE COPIED, REPRODUCED OR USED IN WHOLE OR IN PART, AS THE BASIS FOR THE MANUFACTURE OR SALE OF ITEMS WITHOUT WRITTEN PERMISSION FROM APC. THIS DRAWING IS BASED UPON LATEST AVAILABLE INFORMATION AND IS SUBJECT TO CHANGE WITHOUT NOTICE.		TITLE: NETSHELTER SX 48U ENCLOSURE 750mm W x 1070mm D WITH SIDES TOP AND SECTION VIEWS		DWG NO: AR3157-MM2		REV. —	
PROJECT: SUBMITTAL DRAWING		SHEET 2 OF 3		ENGINEER: C.LARSEN/S.WAGH		DRAWN: BALAMURUGAN 07/02/06 CHECKED: J.BERGESCH 23/02/06	
						PROJECTION AMERICAN POWER CONVERSION 132 FARGROUNDS RD WEST KINGSTON, RI 02892	




BOTTOM VIEW
(WITH PALLET BRACKETS
(CAN BE USED FOR ANCHORING))

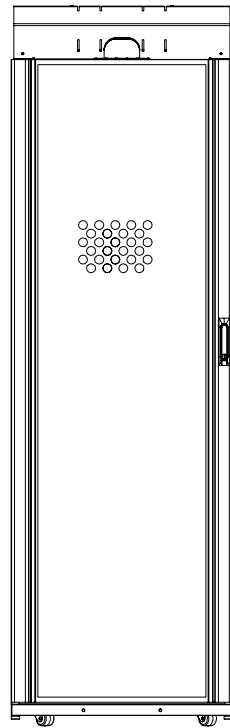


BOTTOM VIEW
(WITH OPTIONAL BOLT-DOWN BRACKETS
FOR ANCHORING)

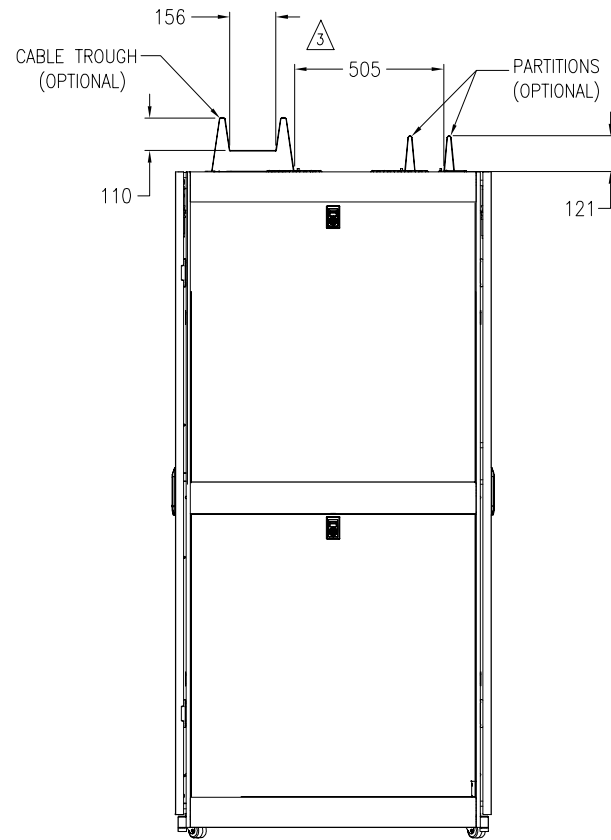
NOTES:

1. ALL DIMENSIONS ARE IN INCHES [MILLIMETERS].
- △ 2 ANCHORING BRACKETS CAN BE INSTALLED EITHER INSIDE OR OUTSIDE THE NETSHELTER.
3. INSTALLATION MUST COMPLY WITH ALL APPLICABLE NATIONAL AND LOCAL CODES.

THIS DRAWING AND SPECIFICATIONS HEREIN ARE THE PROPERTY OF AMERICAN POWER CONVERSION AND SHALL NOT BE COPIED, REPRODUCED OR USED IN WHOLE OR IN PART, AS THE BASIS FOR THE MANUFACTURE OR SALE OF ITEMS WITHOUT WRITTEN PERMISSION FROM APC. THIS DRAWING IS BASED UPON LATEST AVAILABLE INFORMATION AND IS SUBJECT TO CHANGE WITHOUT NOTICE.		TITLE: NETSHELTER SX 48U ENCLOSURE 750mm W x 1070mm D WITH SIDES BOTTOM VIEWS		DWG NO: AR3157 - MM3	REV. —
		DRAWN: BALAMURUGAN	07/02/06	PROJECT	 AMERICAN POWER CONVERSION 132 FARGROUNDS RD WEST KINGSTON, RI 02892
PROJECT: SUBMITTAL DRAWING	SHEET 3 OF 3	CHECKED: J.BERGESCH	23/02/06	PROJECTION	
		ENGINEER: C.LARSEN/S.WAGH	23/02/06		



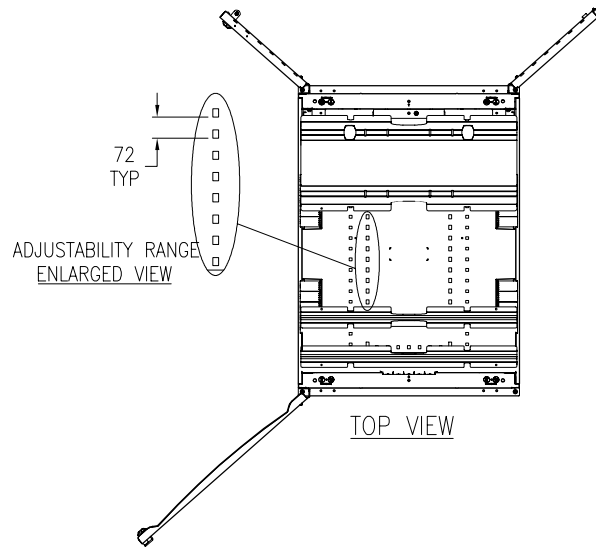
FRONT VIEW



SIDE VIEW



REAR VIEW



TOP VIEW

NOTES:

1. ALL DIMENSIONS ARE IN MILLIMETERS.
2. THIS DRAWING REPRESENTS NETSHELTER WITH OPTIONAL TROUGH AND PARTITION ACCESSORIES.
- △ 3. AVAILABLE CABLING AREA CAN BE ADJUSTED TO MEET CUSTOMERS REQUIREMENTS.
4. INSTALLATION MUST COMPLY WITH ALL APPLICABLE NATIONAL AND LOCAL CODES.

THIS DRAWING AND SPECIFICATIONS HEREIN ARE THE PROPERTY OF AMERICAN POWER CONVERSION AND SHALL NOT BE COPIED, REPRODUCED OR USED IN WHOLE OR IN PART, AS THE BASIS FOR THE MANUFACTURE OR SALE OF ITEMS WITHOUT WRITTEN PERMISSION FROM APC. THIS DRAWING IS BASED UPON LATEST AVAILABLE INFORMATION AND IS SUBJECT TO CHANGE WITHOUT NOTICE.

TITLE:
NETSHELTER SX 48U
ENCLOSURE WITH SIDES, 30Wx42D
TROUGH AND PARTITION VIEWS
PROJECT: SUBMITTAL DRAWINGS SHEET 4 OF 4

DWG NO: AR3157-MM4	REV. —
DRAWN BY: B ZAHN	03/22/06
CHECKED BY: J BERGESCH	04/05/06
ENGINEER: C LARSEN/S WAGH	04/05/06

