

Fast Ethernet Switches

affordably boost the performance of your network



10/100 Mbps Fast Ethernet Switches

FS516 FS524

NETGEAR's Fast Ethernet switches provide a cost-effective way to instantaneously increase network performance while preserving most of your network investment, including installed cabling and end users' software and hardware. These switches are ideal for intermixing 10 and 100 Mbps devices. They provide you with automatic speed and full/half-duplex sensing per port. Running in full-duplex mode, each port delivers 200 Mbps of network speed. Easy to set up and use, these 500-series switches are ideal for speedily delivering large amounts of multimedia, image, and video information.

ACCESSIBLE

Switched 10/100 Mbps ports provide private 10 or 100 Mbps bandwidth for PCs, servers, or hubs—no need to share and compete with other users for bandwidth.

EFFECTIVE

Each port supports up to 200 Mbps of throughput.

INTUITIVE

These switches begin operating as soon as they are powered on. Every port automatically senses the proper speed and full/half duplex mode, taking the burden of configuration off the user.

EXPLICIT

LEDs are integrated with the network ports which simplifies installation and makes network monitoring very easy.

CONVENIENT

Built into sturdy, 13-inch metal cases, these units can be mounted in a standard 19-inch rack.



Help is there when you need it!

NETGEAR provides free, 24x7

telephone and e-mail technical

support in English, with selected

local language support during

office hours.

www.NETGEAR.com

NETGEAR™

NETGEAR Inc.
 4500 Great America Parkway
 Santa Clara, CA 95054
 USA

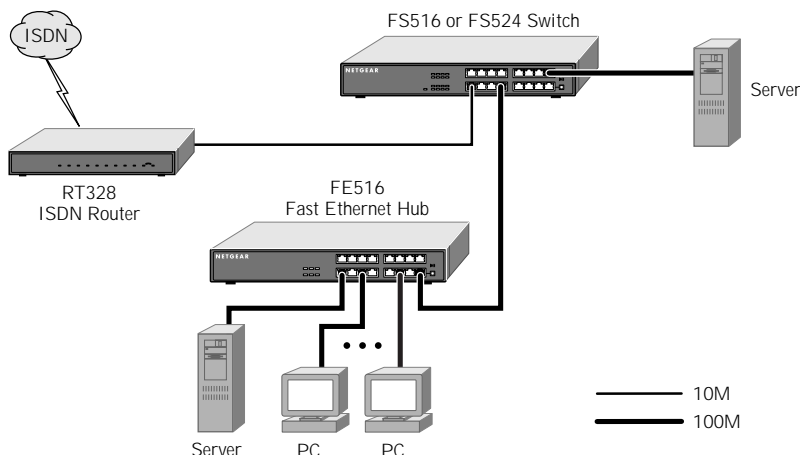
Phone: 1-888-NETGEAR
 E-mail: support@NETGEAR.com
 www.NETGEAR.com

In-Country Phone Support
 (24x7 phone support in English, local language support during office hours.)

Australia	1800-787-638	Korea	00308-11-0319
Austria	00800-06384327	Netherlands	0800-023-0981
	(00800-0-NETGEAR)	New Zealand	00800-1233-4566
Denmark	808-82179	Norway	800-12041
Canada	1-888-NETGEAR	Singapore	001-800-1233-4566
Finland	0800-111-036	Sweden	0200-298-298
France	0800-77-17-53	Switzerland	00800-0638-4327
Germany	00800-06384327		(00800-0-NETGEAR)
	(00800-0-NETGEAR)	United Kingdom	020-7216-0014
Hong Kong	001-800-1233-4566	United States	1-888-NETGEAR
Japan	0120-66-5402	All Other Countries	+1 801-236-8499

NETGEAR™ is a trademark of NETGEAR, Inc. Windows® is a registered trademark of Microsoft Corporation. Other brand and product names are trademarks or registered trademarks of their respective holders. Information is subject to change without notice. All rights reserved.

October 2000



TECHNICAL SPECIFICATIONS

FS516

Network Ports

16 10 or 100 Mbps
 RJ-45 ports

Performance (64 byte packets)

Store-and-forward packet switching

Forward rate (10 Mbps)

14,800 packet per sec.

Forward rate (100 Mbps)

148,000 packet per sec.

Latency (10 to 100 Mbps)

80 usec max

MAC addresses

4,000

Queue buffer per port

64 KBytes

Weight

2.5 kg (5.5 lb)

Dimensions

W 330 mm (13")

D 202 mm (8")

H 43 mm (1.7")

AC Power

30W maximum

Auto-sensing 100 to 240V, 50/60 Hz

Localized plug for North America, Japan, UK,

Europe, Australia

FS524

24 10 or 100 Mbps
 RJ-45 ports

14,800 packet per sec.

148,000 packet per sec.

60 usec max

8,000

512 KBytes

2.6 kg (5.7 lb)

Standards Compliance

IEEE 802.3i 10BASE-T Ethernet

IEEE 802.3u 100BASE-TX Fast Ethernet

Compatible with all major network software

Status LEDs

Unit: power

Per network port: 10 or 100 Mbps operations,

Rx/Tx and collision, link, half/full duplex

Electromagnetic Emissions

CE mark, commercial

FCC Part 15 Class A

EN 55 022 (CISPR 22), Class A

VCCI Class A

Environmental Specifications

Operating temperature: 0 to 40° C

Operating humidity: 80% max. relative humidity,
 noncondensing

Safety Agency Approvals

UL listed (UL 1950)/CUL

TUV licensed (EN 60 950)

Warranty

Switch - 5 years

Power supply - 1 year

PACKAGE CONTENTS

Switch unit

Power cord

Rack-mount kit

User guide

Warranty card

Support card



www.NETGEAR.com

NETGEAR™