

# IBM Flex System x240 Compute Node

## IBM Redbooks Product Guide

The IBM Flex System™ x240 Compute Node is a high-performance server that offers outstanding performance for virtualization with new levels of CPU performance and memory capacity, and flexible configuration options. The x240 Compute Node is an efficient server designed to run a broad range of workloads, armed with advanced management capabilities allowing you to manage your physical and virtual IT resources from a single-pane of glass.

Suggested use: database, virtualization, enterprise applications, collaboration/email, streaming media, web, HPC, Microsoft RemoteFX, and cloud applications.

Figure 1 shows the IBM Flex System x240 Compute Node.



Figure 1. The IBM Flex System x240 Compute Node

### Did you know?

IBM Flex System is a new category of computing that integrates multiple server architectures, networking, storage, and system management capability into a single system that is easy to deploy and manage. IBM Flex System has full built-in virtualization support of servers, storage, and networking to speed provisioning and increased resiliency. In addition, it supports open industry standards, such as operating systems, networking and storage fabrics, virtualization, and system management protocols, to easily fit within existing and future data center environments. IBM Flex System is scalable and extendable with multi-generation upgrades to protect and maximize IT investments.

## Key features

The IBM Flex System x240 Compute Node is a high-availability, scalable compute node optimized to support the next-generation microprocessor technology and is ideally suited for medium and large businesses. This section describes the key features of the server.

### Scalability and performance

The x240 offers numerous features to boost performance, improve scalability, and reduce costs:

- The Intel Xeon Processor E5-2600 product family improves productivity by offering superior system performance with up to 8-core processors and up to 3.3 GHz core speeds depending on the CPU's number of cores, up to 20 MB of L3 cache, and QPI interconnect links of up to 8 GT/s.
- The Intel Xeon Processor E5-2600 provides up to 80% performance boost over the previous generation, the Intel Xeon Processor 5600 (Westmere EP).
- Up to two processors, 16 cores, and 32 threads maximize the concurrent execution of multi-threaded applications.
- Intelligent and adaptive system performance with Intel Turbo Boost Technology 2.0 allows CPU cores to run at maximum speeds during peak workloads by temporarily going beyond processor TDP.
- Intel Hyper-Threading Technology boosts performance for multi-threaded applications by enabling simultaneous multi-threading within each processor core, up to two threads per core.
- Intel Virtualization Technology integrates hardware-level virtualization hooks that allow operating system vendors to better utilize the hardware for virtualization workloads.
- Intel Advanced Vector Extensions (AVX) significantly improve floating point performance for compute-intensive technical and scientific applications compared with Intel Xeon 5600 series processors.
- Up to 24 DDR3 ECC memory RDIMMs provide speeds up to 1600 MHz and a memory capacity of up to 384 GB. Load-reduced DIMMs (LRDIMMs) are supported with a maximum capacity of 768 GB.
- The theoretical maximum memory bandwidth of the Intel Xeon processor E5 family is 51.6 GBps, which is 60% more than in the previous generation of Intel Xeon processors.
- The use of solid-state drives (SSDs) instead of or along with traditional spinning drives (HDDs) can significantly improve I/O performance. An SSD can support up to 100 times more I/O operations per second (IOPS) than a typical HDD.
- Supports the Storage Expansion Node providing an additional 12 hot-swap 2.5-inch drive bays for local storage.
- Up to 16 virtual I/O ports per compute node with integrated 10 Gb Ethernet ports, offering the choice of Ethernet, Fibre Channel, iSCSI, or FCoE connectivity.
- The x240 offers PCI Express 3.0 I/O expansion capabilities that improve the theoretical maximum bandwidth by 60% (8 GT/s per link), compared with the previous generation of PCI Express 2.0.
- With Intel Integrated I/O Technology, the PCI Express 3.0 controller is integrated into the Intel Xeon processor E5 family. This helps to dramatically reduce I/O latency and increase overall system performance.
- Support for high-bandwidth I/O adapters, up to two in each x240 Compute Node. Support for 10 Gb Ethernet, 16 Gb Fibre Channel, and FDR InfiniBand.
- Supports the PCIe Expansion Node for support for up to six additional I/O adapters.

## Availability and serviceability

The x240 provides many features to simplify serviceability and increase system uptime:

- Chipkill, memory mirroring and memory rank sparing for redundancy in the event of a non-correctable memory failure.
- Tool-less cover removal provides easy access to upgrades and serviceable parts, such as CPU, memory, and adapter cards.
- Hot-swap drives supporting integrated RAID 1 redundancy for data protection and greater system uptime.
- A light path diagnostics panel and individual light path LEDs to quickly lead the technician to failed (or failing) components. This simplifies servicing, speeds up problem resolution, and helps improve system availability.
- Predictive Failure Analysis (PFA), which detects when system components (such as processors, memory, and hard disk drives) operate outside of standard thresholds and generates pro-active alerts in advance of possible failure, therefore increasing uptime.
- Solid-state drives (SSDs), which offer significantly better reliability than traditional mechanical HDDs for greater uptime.
- Built-in Integrated Management Module II (IMM2) continuously monitors system parameters, triggers alerts, and performs recovering actions in case of failures to minimize downtime.
- Built-in diagnostics using Dynamic Systems Analysis (DSA) Preboot speeds up troubleshooting tasks to reduce service time.
- Three-year customer replaceable unit and onsite limited warranty, next business day 9x5. Optional service upgrades are available.

## Manageability and security

Powerful systems management features simplify local and remote management of the x240:

- The x240 includes an Integrated Management Module II (IMM2) to monitor server availability and perform remote management.
- Integrated industry-standard Unified Extensible Firmware Interface (UEFI) enables improved setup, configuration, and updates, and simplifies error handling.
- Integrated Trusted Platform Module (TPM) 1.2 support enables advanced cryptographic functionality, such as digital signatures and remote attestation.
- Industry-standard AES NI support for faster, stronger encryption.
- Integrates with the IBM® Flex System™ Manager for proactive systems management. It offers comprehensive systems management for the entire IBM Flex System platform that help to increase up-time, reduce costs, and improve productivity through advanced server management capabilities.
- IBM Fabric Manager simplifies deployment of infrastructure connections by managing network and storage address assignments.
- Intel Execute Disable Bit functionality can help prevent certain classes of malicious buffer overflow attacks when combined with a supporting operating system.
- Intel Trusted Execution Technology provides enhanced security through hardware-based resistance to malicious software attacks, allowing an application to run in its own isolated space protected from all other software running on a system.

## Energy efficiency

The x240 offers the following energy-efficiency features to save energy, reduce operational costs, increase energy availability, and contribute to the green environment:

- Component-sharing design of the IBM Flex System chassis provides ultimate power and cooling savings.
- The Intel Xeon processor E5-2600 product family offers significantly better performance over the previous generation while fitting into the same thermal design power (TDP) limits.
- Intel Intelligent Power Capability powers individual processor elements on and off as needed, to reduce power draw.
- Low-voltage Intel Xeon processors draw less energy to satisfy demands of power and thermally constrained data centers and telecommunication environments.
- Low-voltage 1.35 V DDR3 memory RDIMMs consume 15% less energy than 1.5 V DDR3 RDIMMs.
- Solid state drives (SSDs) consume as much as 80% less power than traditional spinning 2.5-inch HDDs.
- The x240 uses hexagonal ventilation holes, a part of IBM Calibrated Vectors Cooling™ technology. Hexagonal holes can be grouped more densely than round holes, providing more efficient airflow through the system.
- Active Energy Manager provides advanced power management features with actual real-time energy monitoring, reporting, and capping features.

## Locations of key components and connectors

Figure 2 shows the front of the server.

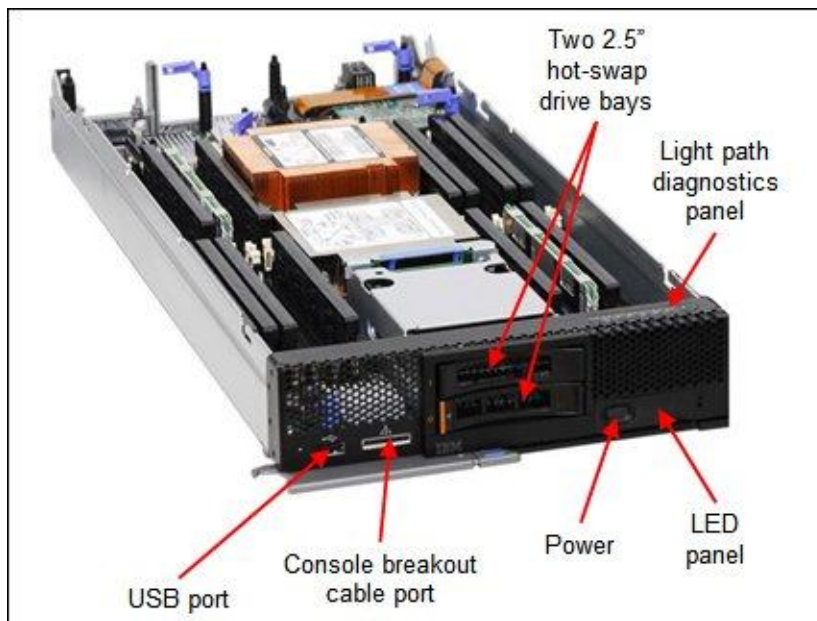


Figure 2. Front view of the IBM Flex System x240 Compute Node

Figure 3 shows the locations of key components inside the server.

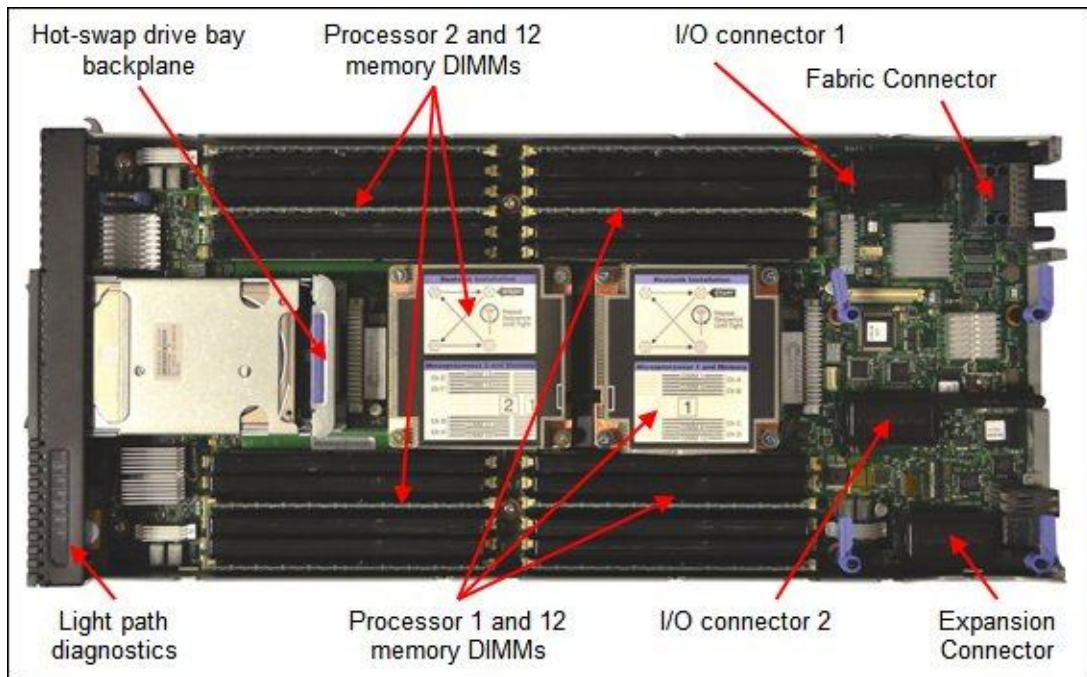


Figure 3. Inside view of the IBM Flex System x240 Compute Node

## Standard specifications

The following table lists the standard specifications.

Table 1. Standard specifications (part 1)

Components	Specification
Form factor	Half-wide compute node.
Chassis support	IBM Flex System Enterprise Chassis.
Processor	Up to two Intel Xeon Processor E5-2600 product family CPUs with eight-core (up to 2.9 GHz) or six-core (up to 2.9 GHz) or quad-core (up to 3.3 GHz) or dual-core (up to 3.0 GHz). Two QPI links up to 8.0 GT/s each. Up to 1600 MHz memory speed. Up to 20 MB L3 cache.
Chipset	Intel C600 series.
Memory	Up to 24 DIMM sockets (12 DIMMs per processor) using Low Profile (LP) DDR3 DIMMs. RDIMMs, UDIMMs, and LRDIMMs supported. 1.5 V and low-voltage 1.35 V DIMMs supported. Support for up to 1600 MHz memory speed depending on the processor. Four memory channels per processor (three DIMMs per channel). Supports two DIMMs per channel operating at 1600 MHz (2 DPC @ 1600MHz) with single and dual rank RDIMMs. Supports three DIMMs per channel at 1066 MHz 1600MHz) with single and dual rank RDIMMs.
Memory maximums	With LRDIMMs: Up to 768 GB with 24x 32 GB LRDIMMs and two processors. With RDIMMs: Up to 384 GB with 24x 16 GB RDIMMs and two processors. With UDIMMs: Up to 64 GB with 16x 4 GB UDIMMs and two processors.
Memory protection	ECC, Chipkill (for x4-based memory DIMMs), memory mirroring, and memory rank sparing.

Table 1. Standard specifications (part 2)

Components	Specification
Disk drive bays	Two 2.5" hot-swap SAS/SATA drive bays supporting SAS, SATA, and SSD drives. Optional support for up to eight 1.8" SSDs. Up to 12 additional 2.5-inch drive bays with the optional Storage Expansion Node.
Maximum internal storage	With two 2.5" hot-swap drives: Up to 2 TB with 1 TB 2.5" NL SAS HDDs, or up to 1.8 TB with 900 GB 2.5" SAS HDDs, or up to 2 TB with 1 TB 2.5" SATA HDDs, or up to 512 GB with 256 GB 2.5" SATA SSDs. Intermix of SAS and SATA HDDs and SSDs is supported. With 1.8" SSDs and ServeRAID M5115 RAID adapter: Up to 1.6 TB with eight 200 GB 1.8" SSDs.
RAID support	RAID 0 and 1 with integrated LSI SAS2004 controller. Optional ServeRAID M5115 RAID controller with RAID 0, 1, 10, 5, 50 support and 1 GB cache. Supports up to eight 1.8" SSD with expansion kits. Optional flash-backup for cache, RAID 6/60, SSD performance enabler.
Network interfaces	x2x models: Two 10 Gb Ethernet ports with Embedded 10Gb Virtual Fabric Ethernet LAN-on-motherboard (LOM) controller; Emulex BE3 based. x1x models: None standard; optional 1Gb or 10Gb Ethernet adapters.
PCI Expansion slots	Two I/O connectors for adapters. PCI Express 3.0 x16 interface. Includes an Expansion Connector (PCIe 3.0 x16) to connect an expansion node such as the PCIe Expansion Node. PCIe Expansion Node supports two full-height PCIe adapters, two low-profile PCIe adapters and two Flex System I/O adapters.
Ports	USB ports: One external. Two internal for embedded hypervisor with optional USB Enablement Kit. Console breakout cable port providing local KVM and serial ports (cable standard with chassis; additional cables optional).
Systems management	UEFI, IBM Integrated Management Module 2 (IMM2) with Renesas SH7757 controller, Predictive Failure Analysis, light path diagnostics panel, automatic server restart, remote presence. Support for IBM Flex System Manager, IBM Systems Director and Active Energy Manager, IBM ServerGuide.
Security features	Power-on password, administrator's password, Trusted Platform Module 1.2.
Video	Matrox G200eR2 video core with 16 MB video memory integrated into the IMM2. Maximum resolution is 1600x1200 at 75 Hz with 16 M colors.
Limited warranty	3-year customer-replaceable unit and onsite limited warranty with 9x5/NBD.
Operating systems supported	Microsoft Windows Server 2008 R2, Red Hat Enterprise Linux 5 and 6, SUSE Linux Enterprise Server 10 and 11, VMware ESX 4. See "Supported operating systems" for details.
Service and support	Optional service upgrades are available through IBM ServicePacs®: 4-hour or 2-hour response time, 8-hour fix time, 1-year or 2-year warranty extension, remote technical support for IBM hardware and selected IBM and OEM software.
Dimensions	Width: 215 mm (8.5"), height 51 mm (2.0"), depth 493 mm (19.4").
Weight	Maximum configuration: 6.98 kg (15.4 lb).

The x240 servers are shipped with the following items:

- Statement of Limited Warranty
- Important Notices
- Documentation CD that contains the *Installation and User's Guide*

## Standard models

Table 2 lists standard models.

Table 2. Standard models

Model	Processor (2 maximum)*	Memory (max 786 GB)	Disk adapter	Disk bays (used/max)†	Disks	10 GbE Embedded Virtual Fabric‡	I/O slots (used/max)
8737-A1x	1x Xeon E5-2630L 6C 2.0GHz 15MB 1333MHz 60W	2x 4 GB	SAS/SATA RAID	2.5" hot-swap (0 / 2)	Open	No	0 / 2
8737-D2x	1x Xeon E5-2609 4C 2.40GHz 10MB 1066MHz 80W	2x 4 GB	SAS/SATA RAID	2.5" hot-swap (0 / 2)	Open	Standard	1 / 2‡
8737-F2x	1x Xeon E5-2620 6C 2.0GHz 15MB 1333MHz 95W	2x 4 GB	SAS/SATA RAID	2.5" hot-swap (0 / 2)	Open	Standard	1 / 2‡
8737-G2x	1x Xeon E5-2630 6C 2.3GHz 15MB 1333MHz 95W	2x 4 GB	SAS/SATA RAID	2.5" hot-swap (0 / 2)	Open	Standard	1 / 2‡
8737-H1x	1x Xeon E5-2640 6C 2.5GHz 15MB 1333MHz 95W	2x 4 GB	SAS/SATA RAID	2.5" hot-swap (0 / 2)	Open	No	0 / 2
8737-H2x	1x Xeon E5-2640 6C 2.5GHz 15MB 1333MHz 95W	2x 4 GB	SAS/SATA RAID	2.5" hot-swap (0 / 2)	Open	Standard	1 / 2‡
8737-J1x	1x Xeon E5-2670 8C 2.6GHz 20MB 1600MHz 115W	2x 4 GB	SAS/SATA RAID	2.5" hot-swap (0 / 2)	Open	No	0 / 2
8737-L2x	1x Xeon E5-2660 8C 2.2GHz 20MB 1600MHz 95W	2x 4 GB	SAS/SATA RAID	2.5" hot-swap (0 / 2)	Open	Standard	1 / 2‡
8737-M1x	1x Xeon E5-2680 8C 2.7GHz 20MB 1600MHz 130W	2x 4 GB	SAS/SATA RAID	2.5" hot-swap (0 / 2)	Open	No	0 / 2
8737-M2x	1x Xeon E5-2680 8C 2.7GHz 20MB 1600MHz 130W	2x 4 GB	SAS/SATA RAID	2.5" hot-swap (0 / 2)	Open	Standard	1 / 2‡
8737-N2x	1x Xeon E5-2643 4C 3.3GHz 10MB 1600MHz 130W	2x 4 GB	SAS/SATA RAID	2.5" hot-swap (0 / 2)	Open	Standard	1 / 2‡
8737-Q2x	1x Xeon E5-2667 6C 2.9GHz 15MB 1600MHz 130W	2x 4 GB	SAS/SATA RAID	2.5" hot-swap (0 / 2)	Open	Standard	1 / 2‡
8737-R2x	1x Xeon E5-2690 8C 2.9GHz 20MB 1600MHz 135W	2x 4 GB	SAS/SATA RAID	2.5" hot-swap (0 / 2)	Open	Standard	1 / 2‡

\* Processor detail: Processor quantity and model, cores, core speed, L3 cache, memory speed, power consumption.

† The 2.5-inch drive bays can be replaced and expanded with 1.8" solid-state drive bays and a ServeRAID M5115 RAID controller to support up to eight 1.8-inch SSDs.

‡ The x2x models include an Embedded 10Gb Virtual Fabric Ethernet controller. Connections are routed using a Fabric Connector. The Fabric Connector precludes the use of an I/O adapter in I/O connector 1.

## Chassis support

The x240 is supported in the IBM Flex System Enterprise Chassis.

## Processor options

The x240 supports the processor options listed in the following table. The server supports one or two processors. The table also shows which server models have each processor standard. If no corresponding *where used* model for a particular processor is listed, then this processor is available only through Configure to Order (CTO).

Table 3. Processor options

Part number	Feature code**	Intel Xeon processor description	Models where used
81Y5180	A1CQ / A1D1	Intel Xeon E5-2603 4C 1.8GHz 10MB 1066MHz 80W	-
81Y5182	A1CS / A1D3	Intel Xeon E5-2609 4C 2.40GHz 10MB 1066MHz 80W	D2x
81Y5183	A1CT / A1D4	Intel Xeon E5-2620 6C 2.0GHz 15MB 1333MHz 95W	F2x
81Y5184	A1CU / A1D5	Intel Xeon E5-2630 6C 2.3GHz 15MB 1333MHz 95W	G2x
81Y5206	A1ER / A1DD	Intel Xeon E5-2630L 6C 2.0GHz 15MB 1333MHz 60W	A1x
49Y8125	A2EP / A2EQ	Intel Xeon E5-2637 2C 3.0GHz 5MB 1600MHz 80W	-
81Y5185	A1CV / A1D6	Intel Xeon E5-2640 6C 2.5GHz 15MB 1333MHz 95W	H1x, H2x
81Y5190	A1CY / A1DA	Intel Xeon E5-2643 4C 3.3GHz 10MB 1600MHz 130W	N2x
95Y4670	A31A / A31C	Intel Xeon E5-2648L 8C 1.8GHz 20MB 1600MHz 70W	-
81Y5186	A1CW / A1D7	Intel Xeon E5-2650 8C 2.0GHz 20MB 1600MHz 95W	-
81Y5179	A1ES / A1DE	Intel Xeon E5-2650L 8C 1.8GHz 20MB 1600MHz 70W	-
95Y4675	A319 / A31B	Intel Xeon E5-2658 8C 2.1GHz 20MB 1600MHz 95W	-
81Y5187	A1CX / A1D8	Intel Xeon E5-2660 8C 2.2GHz 20MB 1600MHz 95W	L2x
49Y8144	A2ET / A2EU	Intel Xeon E5-2665 8C 2.4GHz 20MB 1600MHz 115W	-
81Y5189	A1CZ / A1DB	Intel Xeon E5-2667 6C 2.9GHz 15MB 1600MHz 130W	Q2x
81Y9418	A1SX / A1SY	Intel Xeon E5-2670 8C 2.6GHz 20MB 1600MHz 115W	J1x
81Y5188	A1BB / A1D9	Intel Xeon E5-2680 8C 2.7GHz 20MB 1600MHz 130W	M1x, M2x
49Y8116	A2ER / A2ES	Intel Xeon E5-2690 8C 2.9GHz 20MB 1600MHz 135W	R2x

\*\* The first feature code is for processor 1 and second feature code is for processor 2

## Memory options

IBM DDR3 memory is compatibility tested and tuned for optimal performance and throughput. IBM memory specifications are integrated into the light path diagnostics for immediate system performance feedback and optimum system uptime. From a service and support standpoint, IBM memory automatically assumes the IBM system warranty, and IBM provides service and support worldwide.

The x240 supports Low Profile (LP) DDR3 memory RDIMMs, UDIMMs, and LRDIMMs. The server supports up to 12 DIMMs when one processor is installed and up to 24 DIMMs when two processors are installed. Each processor has four memory channels, and there are three DIMMs per channel.



The following rules apply when selecting the memory configuration:

- Mixing 1.5 V and 1.35 V DIMMs in the same server is supported. In such a case all DIMMs operate at 1.5 V.
- The maximum number of ranks supported per channel is eight.
- The maximum quantity of DIMMs that can be installed in the server depends on the number of CPUs, DIMM rank, and operating voltage, as shown in the "Max. qty supported" row in the following table. The shaded cells indicate that the DIMM type supports the maximum number of DIMMs (24 for the x240)
- All DIMMs in all CPU memory channels operate at the same speed, which is determined as the lowest value of:
  - Memory speed supported by specific CPU
  - Lowest maximum operating speed for the selected memory configuration that depends on rated speed, as shown under the "Max. operating speed" section in the following table. The shaded cells indicate that the speed indicated is the maximum that the DIMM allows.

The following table shows the maximum memory speeds that are achievable based on the installed DIMMs and the number of DIMMs per channel. The table also shows maximum memory capacity at any speed supported by the DIMM and maximum memory capacity at rated DIMM speed. In the table, cells highlighted with a grey background indicate when the specific combination of DIMM voltage and number of DIMMs per channel still allows the DIMMs to operate at rated speed.

Table 4. Maximum memory speeds

Specification	UDIMMs		RDIMMs						LRDIMMs			
	Dual rank		Single rank			Dual rank			Quad rank			
Rated speed	1333 MHz		1333 MHz		1600 MHz	1333 MHz		1600 MHz	1066 MHz		1333 MHz	
Rated voltage	1.35 V		1.35 V		1.5 V	1.35 V		1.5 V	1.35 V		1.35 V	
Operating voltage	1.35 V	1.5 V	1.35 V	1.5 V	1.5 V	1.35 V	1.5 V	1.5 V	1.35 V	1.5 V	1.35 V	1.5 V
Max quantity*	16	16	16	24	24	16	24	24	8	16	24	24
Largest DIMM	4 GB	4 GB	4 GB	4 GB	4 GB	16 GB	16 GB	16 GB	32 GB	32 GB	32 GB	32 GB
Max memory capacity	64 GB	64 GB	64 GB	96 GB	96 GB	256 GB	384 GB	384 GB	256 GB	512 GB	768 GB	768 GB
Max memory at rated speed	64 GB	64 GB	64 GB	64 GB	64 GB	256 GB	256 GB	256 GB	128 GB	256 GB	768 GB	512 GB
<b>Maximum operating speed (MHz)</b>												
1 DIMMs per channel	1333 MHz	1333 MHz	1333 MHz	1333 MHz	1600 MHz	1333 MHz	1333 MHz	1600 MHz	800 MHz	1066 MHz	1066 MHz	1333 MHz
2 DIMMs per channel	1333 MHz	1333 MHz	1333 MHz	1333 MHz	1600 MHz	1333 MHz	1333 MHz	1600 MHz	NS**	800 MHz	1066 MHz	1333 MHz
3 DIMMs per channel	NS**	NS**	NS**	1066 MHz	1066 MHz	NS**	1066 MHz	1066 MHz	NS**	NS**	1066 MHz	1066 MHz

\* The maximum quantity supported is shown for two processors installed. When one processor is installed, the maximum quantity supported is a half of that shown.

\*\* NS = Not supported. When three 1.35 V DIMMs are installed in a memory channel, they operate at 1.5 V instead.

The following memory protection technologies are supported:

- ECC
- Chipkill (for x4-based memory DIMMs -- look for "x4" in the DIMM description)
- Memory mirroring
- Memory sparing

If memory mirroring is used, then DIMMs must be installed in pairs (minimum of one pair per CPU), and both DIMMs in a pair must be identical in type and size.

If memory rank sparing is used, then a minimum of one quad-rank DIMM or two single-rank or dual-rank DIMMs must be installed per populated channel (the DIMMs do not need being identical). In rank sparing mode, one rank of a DIMM in each populated channel is reserved as spare memory. The size of a rank varies depending on the DIMMs installed.

The following table lists memory options available for the x240 server. DIMMs can be installed one at a time, but for performance reasons, install them in sets of four (one for each of the four memory channels).

Table 5. Memory options for the x240

Part number	Feature code	Description	Models where used
Registered DIMM (RDIMM) modules - 1066 MHz and 1333 MHz			
49Y1405	8940	2GB (1x2GB, 1Rx8, 1.35V) PC3L-10600 CL9 ECC DDR3 1333MHz LP RDIMM	-
49Y1406	8941	4GB (1x4GB, 1Rx4, 1.35V) PC3L-10600 CL9 ECC DDR3 1333MHz LP RDIMM	H1x, H2x, G2x, F2x, D2x, A1x
49Y1407	8942	4GB (1x4GB, 2Rx8, 1.35V) PC3L-10600 CL9 ECC DDR3 1333MHz LP RDIMM	-
49Y1397	8923	8GB (1x8GB, 2Rx4, 1.35V) PC3L-10600 CL9 ECC DDR3 1333MHz LP RDIMM	-
49Y1563	A1QT	16GB (1x16GB, 2Rx4, 1.35V) PC3L-10600 CL9 ECC DDR3 1333MHz LP RDIMM	-
49Y1400	8939	16GB (1x16GB, 4Rx4, 1.35V) PC3L-8500 CL7 ECC DDR3 1066MHz LP RDIMM	-
Registered DIMM (RDIMM) modules - 1600 MHz			
49Y1559	A28Z	4GB (1x4GB, 1Rx4, 1.5V) PC3-12800 CL11 ECC DDR3 1600MHz LP RDIMM	R2x, Q2x, N2x, M2x, M1x, L2x, J1x
90Y3178	A24L	4GB (1x4GB, 2Rx8, 1.5V) PC3-12800 CL11 ECC DDR3 1600MHz LP RDIMM	-
90Y3109	A292	8GB (1x8GB, 2Rx4, 1.5V) PC3-12800 CL11 ECC DDR3 1600MHz LP RDIMM	-
00D4968	A2U5	16GB (1x16GB, 2Rx4, 1.5V) PC3-12800 CL11 ECC DDR3 1600MHz LP RDIMM	-
Unbuffered DIMM (UDIMM) modules			
49Y1404	8648	4GB (1x4GB, 2Rx8, 1.35V) PC3L-10600 CL9 ECC DDR3 1333MHz LP UDIMM	-
Load-reduced (LRDIMM) modules			
49Y1567	A290	16GB (1x16GB, 4Rx4, 1.35V) PC3L-10600 CL9 ECC DDR3 1333MHz LP LRDIMM	-
90Y3105	A291	32GB (1x32GB, 4Rx4, 1.35V) PC3L-10600 CL9 ECC DDR3 1333MHz LP LRDIMM	-

## Internal disk storage options

The x240 server has two 2.5" hot-swap drive bays accessible from the front of the blade server (Figure 2). These bays are connected to the integrated 4-port LSI SAS2004 6 Gbps SAS/SATA RAID-on-Chip (ROC) controller.

The integrated LSI SAS2004 ROC has the following features:

- Four-port controller with 6 Gbps throughput per port
- PCIe x4 Gen 2 host interface
- Two SAS ports routed internally to the two hot-swap drive bays
- Supports RAID levels 0 (Integrated Striping), 1 (Integrated Mirroring), 10 (Integrated Mirroring and Striping), and 1E (Integrated Mirroring Enhanced)

The 2.5" drive bays support SAS or SATA hard disk drives (HDDs) or SATA solid state drives (SSDs). The following table lists the supported 2.5" drive options.

Table 6. 2.5-inch drive options for internal disk storage

Part number	Feature code	Description	Maximum supported
<b>10K SAS hard disk drives</b>			
42D0637	5599	IBM 300GB 10K 6Gbps SAS 2.5" SFF Slim-HS HDD	2
49Y2003	5433	IBM 600GB 10K 6Gbps SAS 2.5" SFF Slim-HS HDD	2
81Y9650	A282	IBM 900GB 10K 6Gbps SAS 2.5" SFF HS HDD	2
<b>15K SAS hard disk drives</b>			
42D0677	5536	IBM 146GB 15K 6Gbps SAS 2.5" SFF Slim-HS HDD	2
81Y9670	A283	IBM 300GB 15K 6Gbps SAS 2.5" SFF HS HDD	2
<b>NL SATA</b>			
81Y9722	A1NX	IBM 250GB 7.2K 6Gbps NL SATA 2.5" SFF HS HDD	2
81Y9726	A1NZ	IBM 500GB 7.2K 6Gbps NL SATA 2.5" SFF HS HDD	2
81Y9730	A1AV	IBM 1TB 7.2K 6Gbps NL SATA 2.5" SFF HS HDD	2
<b>NL SAS</b>			
42D0707	5409	IBM 500GB 7200 6Gbps NL SAS 2.5" SFF Slim-HS HDD	2
81Y9690	A1P3	IBM 1TB 7.2K 6Gbps NL SAS 2.5" SFF HS HDD	2
<b>Solid state drives</b>			
43W7718	A2FN	IBM 200GB SATA 2.5" MLC HS SSD	2
90Y8643	A2U3	IBM 256GB SATA 2.5" MLC HS Enterprise Value SSD	2
90Y8648	A2U4	IBM 128GB SATA 2.5" MLC HS Enterprise Value SSD	2
49Y5844	A3AU	IBM 512GB SATA 2.5" MLC HS Enterprise Value SSD	2
49Y5839	A3AS	IBM 64GB SATA 2.5" MLC HS Enterprise Value SSD	2

## Support for 1.8" solid state drives

The x240 supports up to eight 1.8-inch solid-state drives combined with a ServeRAID M5115 SAS/SATA controller (90Y4390). The M5115 attaches to the I/O adapter 1 connector and can be attached even if the Compute Node Fabric Connector is installed (used to route the Embedded 10Gb Virtual Fabric Adapter to bays 1 and 2, as discussed in "I/O expansion options"). The ServeRAID M5115 cannot be installed if an adapter is installed in I/O adapter slot 1.

The ServeRAID M5115 supports combinations of 2.5-inch drives and 1.8-inch solid state drives:

- Up to two 2.5-inch drives only
- Up to four 1.8-inch drives only
- Up to two 2.5-inch drives, plus up to four 1.8-inch solid state drives
- Up to eight 1.8-inch solid state drives

The ServeRAID M5115 SAS/SATA Controller (90Y4390) provides an advanced RAID controller supporting RAID 0, 1, 10, 5, 50, and optional 6 and 60. It includes 1 GB of cache, which can be backed up to Flash when attached to the supercapacitor included with the optional ServeRAID M5100 Series Enablement Kit (90Y4342).

At least one hardware kit is required with the ServeRAID M5115 controller, and there are three hardware kits that are supported that enable specific drive support:

- **ServeRAID M5100 Series Enablement Kit for IBM Flex System x240** (90Y4342) enables support for up to two 2.5" HDDs or SSDs in the hot-swap bays in the front of the server. It includes a CacheVault unit, which enables MegaRAID CacheVault flash cache protection. This enablement kit replaces the standard two-bay backplane (which is attached via the planar to an onboard controller) with a new backplane that attaches to an included flex cable to the M5115 controller. It also includes an air baffle, which also serves as an attachment for the CacheVault unit.

MegaRAID CacheVault flash cache protection uses NAND flash memory powered by a supercapacitor to protect data stored in the controller cache. This module eliminates the need for a lithium-ion battery commonly used to protect DRAM cache memory on PCI RAID controllers. To avoid the possibility of data loss or corruption during a power or server failure, CacheVault technology transfers the contents of the DRAM cache to NAND flash using power from the supercapacitor. After the power is restored to the RAID controller, the saved data is transferred from the NAND flash back to the DRAM cache, which can then be flushed to disk.

**Tip:** The Enablement Kit is only required if 2.5-inch drives are to be used. If you plan to install four or eight 1.8-inch SSDs only, then this kit is not required.

- **ServeRAID M5100 Series IBM Flex System Flash Kit for x240** (90Y4341) enables support for up to four 1.8-inch SSDs. This kit replaces the standard two-bay backplane with a four-bay SSD backplane that attaches to an included flex cable to the M5115 controller. Because only SSDs are supported, a CacheVault unit is not required, and therefore this kit does not have a supercap.
- **ServeRAID M5100 Series SSD Expansion Kit for IBM Flex System x240** (90Y4391) enables support for up to four internal 1.8-inch SSDs. This kit includes two air baffles, left and right, which can attach two 1.8-inch SSD attachment locations and Flex cables for attachment to up to four 1.8-inch SSDs.

**Note:** The SSD Expansion Kit cannot be installed if the USB Enablement Kit, 49Y8119, is already installed as these kits occupy the same location in the server.

The following table shows the kits required for each combination of drives. For example, if you plan to install eight 1.8-inch SSDs, then you will need the M5115 controller, the Flash kit, and the SSD Expansion kit.

Table 7. ServeRAID M5115 hardware kits

Desired drive support			Components required			
Maximum number of 2.5" drives	Maximum number of 1.8" SSDs		ServeRAID M5115 90Y4390	Enablement Kit 90Y4342	Flash Kit 90Y4341	SSD Expansion Kit 90Y4391
2	0	=>	Add this	... and this		
0	4 (front)	=>	Add this		... and this	
2	4 (internal)	=>	Add this	... and this		... and this
0	8 (both)	=>	Add this		... and this	... and this

The following figure shows how the ServeRAID M5115 and the Enablement Kit are installed in the server to support two 2.5-inch drives with MegaRAID CacheVault flash cache protection (row 1 of the preceding table).

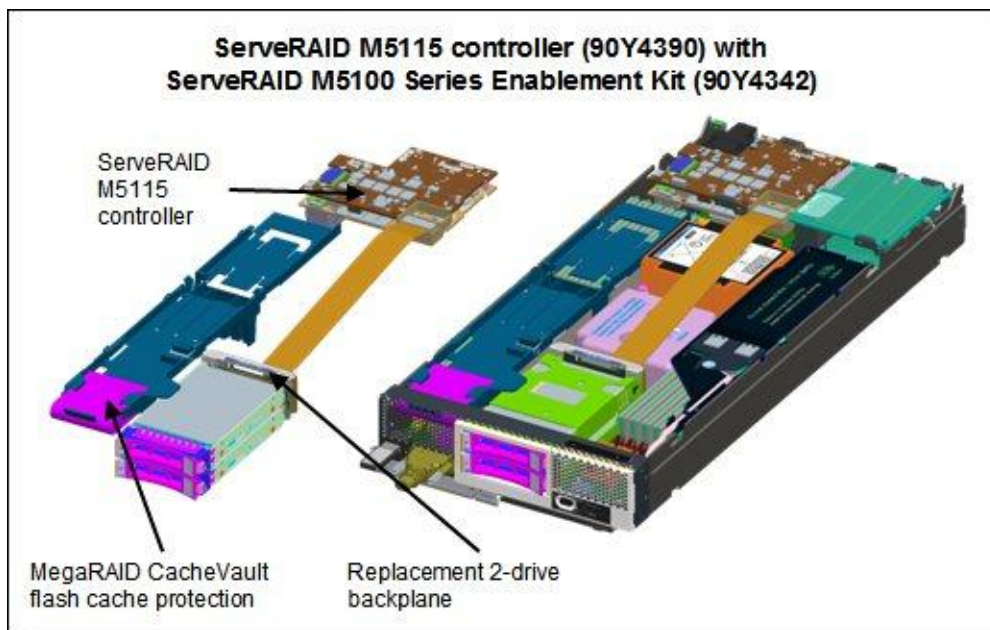


Figure 4. The ServeRAID M5115 and the Enablement Kit installed

The following figure shows how the ServeRAID M5115 and Flash and SSD Expansion Kits are installed in the server to support eight 1.8-inch solid-state drives (row 4 of the preceding table).

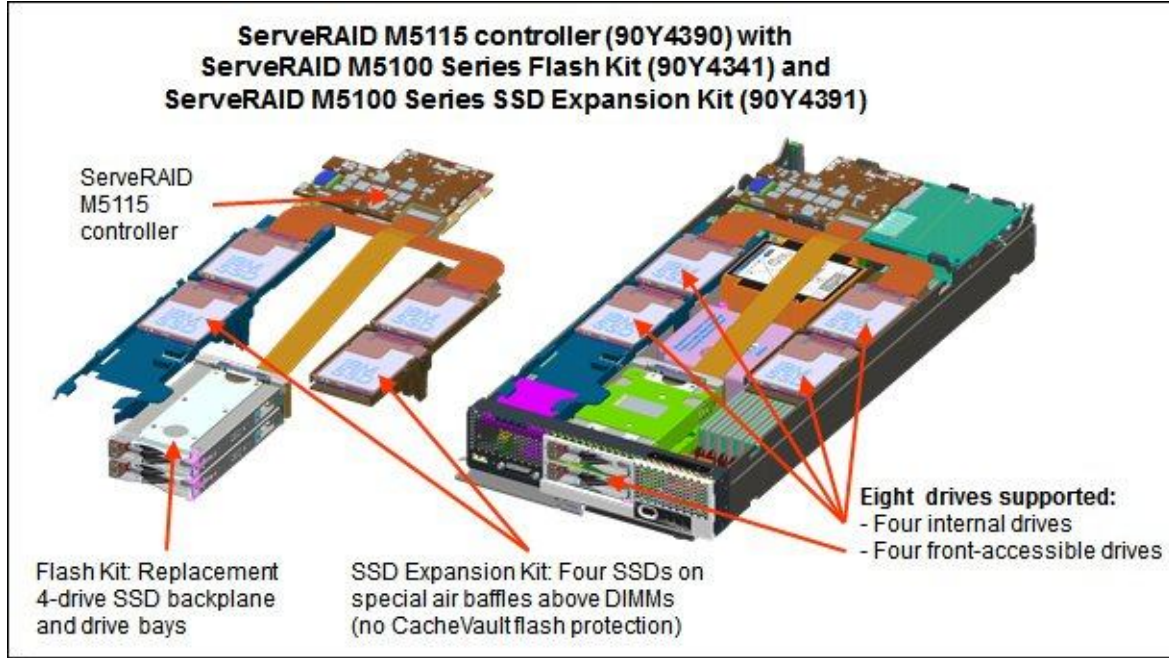


Figure 5. ServeRAID M5115 with Flash and SSD Expansion Kits installed

The eight SSDs are installed in the following locations:

- Four in the front of the system in place of the two 2.5-inch drive bays
- Two in a tray above one the memory banks for CPU 1
- Two in a tray above one the memory banks for CPU 2

The ServeRAID M5115 controller has the following specifications:

- Eight internal 6 Gbps SAS/SATA ports
- PCI Express 3.0 x8 host interface
- 6 Gbps throughput per port
- 800 MHz dual-core IBM PowerPC® processor with LSI SAS2208 6 Gbps RAID on Chip (ROC) controller
- Support for RAID levels 0, 1, 10, 5, 50 standard; support for RAID 6 and 60 with optional upgrade using 90Y4411
- Optional onboard 1 GB data cache (DDR3 running at 1333 MHz) with optional flash backup (MegaRAID CacheVault technology) as part of the Enablement Kit 90Y4342.
- Support for SAS and SATA HDDs and SSDs
- Support for intermixing SAS and SATA HDDs and SSDs; mixing different types of drives in the same array (drive group) not recommended
- Optional support for SSD performance acceleration with MegaRAID FastPath and SSD caching with MegaRAID CacheCade Pro 2.0 (90Y4447)
- Support for up to 64 virtual drives, up to 128 drive groups, up to 16 virtual drives per one drive group, and up to 32 physical drives per one drive group

- Support for logical unit number (LUN) sizes up to 64 TB
- Configurable stripe size up to 1 MB
- Compliant with Disk Data Format (DDF) configuration on disk (COD)
- S.M.A.R.T. support
- MegaRAID Storage Manager management software

Optional add-ons to the ServeRAID M5115 controller are RAID 6 support, SSD performance accelerator, and SSD caching enabler. The feature upgrades are as listed in the following table. These are all Feature on Demand (FoD) license upgrades.

Table 8. Supported upgrade features

Part number	Feature code	Description	Maximum supported
90Y4410	A2Y1	ServeRAID M5100 Series RAID 6 Upgrade for IBM Flex System	1
90Y4412	A2Y2	ServeRAID M5100 Series Performance Upgrade for IBM Flex System (MegaRAID FastPath)	1
90Y4447	A36G	ServeRAID M5100 Series SSD Caching Enabler for IBM Flex System (MegaRAID CacheCade Pro 2.0)	1

These features are described as follows:

- RAID 6 Upgrade (90Y4410)  
Adds support for RAID 6 and RAID 60. This is a Feature on Demand license.
- Performance Upgrade (90Y4412)  
The Performance Upgrade for IBM Flex System (implemented using the LSI MegaRAID FastPath software) provides high-performance I/O acceleration for SSD-based virtual drives by exploiting an extremely low-latency I/O path to increase the maximum I/O per second (IOPS) capability of the controller. This feature boosts the performance of applications with a highly random data storage access pattern, such as transactional databases. Part number 90Y4412 is a Feature on Demand license.
- SSD Caching Enabler for traditional hard drives (90Y4447)  
The SSD Caching Enabler for IBM Flex System (implemented using the LSI MegaRAID CacheCade Pro 2.0) is designed to accelerate the performance of hard disk drive (HDD) arrays with only an incremental investment in solid-state drive (SSD) technology. The feature enables the SSDs to be configured as a dedicated cache to help maximize the I/O performance for transaction-intensive applications, such as databases and web serving. The feature tracks data storage access patterns and identifies the most frequently accessed data. The hot data is then automatically stored on the SSDs that are assigned as a dedicated cache pool on the ServeRAID controller. Part number 90Y4447 is a Feature on Demand license. This feature requires at least one SSD drive be installed.

The 1.8-inch solid state drives supported with the ServeRAID M5115 controller are listed in the following table.

Table 9. Supported 1.8-inch solid state drives

Part number	Feature code	Description	Maximum supported
43W7746	5420	IBM 200GB SATA 1.8" MLC SSD	8
43W7726	5428	IBM 50GB SATA 1.8" MLC SSD	8

## IBM Flex System Storage Expansion Node

The x240 supports the attachment of the IBM Flex System Storage Expansion Node. The IBM Flex System Storage Expansion Node provides the ability to attach additional 12 hot-swap 2.5-inch HDDs or SSDs locally to the attached compute node. The Storage Expansion Node provides storage capacity for Network Attach Storage (NAS) workloads, providing flexible storage to match capacity, performance and reliability needs.

The following figure shows the IBM Flex System Storage Expansion Node attached to a compute node.



Figure 6. IBM Flex System Storage Expansion Node (right) attached to a compute node (left)

The ordering information for the Storage Expansion Node is shown in the following table.

Table 10. Ordering part number and feature code

Part number	Feature code	Description	Maximum supported
68Y8588	A3JF	IBM Flex System Storage Expansion Node	1



The Storage Expansion Node has the following features:

- Connects directly to supported compute nodes via a PCIe 3.0 interface to the compute node's expansion connector (See Figure 3)
- Support for 12 hot-swap 2.5-inch drive, accessible via a sliding tray
- Support for 6 Gbps SAS and SATA drives, both HDDs and SSDs
- Based on an LSI SAS2208 6 Gbps RAID on Chip (ROC) controller
- Supports RAID 0, 1, 5, 10, and 50 as standard. JBOD also supported. Optional RAID 6 and 60 with a Features on Demand upgrade.
- Optional 512 MB or 1 GB cache with cache-to-flash super capacitor offload

**Note:** The use of the Storage Expansion Node requires that the x240 Compute Node have both processors installed.

For more information, see the IBM Redbooks Product Guide on the IBM Flex System Storage Expansion Node, <http://www.redbooks.ibm.com/abstracts/tips0914.html?Open>

## Internal tape drives

The server does not support an internal tape drive. However, it can be attached to external tape drives using Fibre Channel connectivity.

## Optical drives

The server does not support an internal optical drive option. However, you can connect an external USB optical drive, such as the IBM and Lenovo part number 73P4515 or 73P4516, or use the remote media feature of the IMMv2 and the Chassis Management Module.

**Note:** The USB port on the compute nodes supply up to 0.5 A at 5 V. For devices that require more power, an additional power source will be required.

## Embedded 10Gb Virtual Fabric Adapter

Some models of the x240 include an Embedded 10Gb Virtual Fabric Adapter (VFA, also known as LAN on Motherboard or LOM) built into the system board. Table 2 lists what models of the x240 include the Embedded 10Gb Virtual Fabric Adapter. Each x240 model that includes the embedded 10Gb VFA also has the Compute Node Fabric Connector installed in I/O connector 1 (and physically screwed onto the system board) to provide connectivity to the Enterprise Chassis midplane. Figure 3 shows the location of the Fabric Connector.

The Fabric Connector enables port 1 on the embedded 10Gb VFA to be routed to I/O module bay 1 and port 2 to be routed to I/O module bay 2. The Fabric Connector can be unscrewed and removed, if required, to allow the installation of an I/O adapter on I/O connector 1.

The Embedded 10Gb VFA is based on the Emulex BladeEngine 3 (BE3), which is a single-chip, dual-port 10 Gigabit Ethernet (10GbE) Ethernet Controller. These are some of the features of the Embedded 10Gb VFA:

- PCI-Express Gen2 x8 host bus interface
- Supports multiple virtual NIC (vNIC) functions
- TCP/IP Offload Engine (TOE enabled)
- SRIOV capable
- RDMA over TCP/IP capable
- iSCSI and FCoE upgrade offering via FoD

The following table lists the ordering information for the IBM Flex System Embedded 10Gb Virtual Fabric Upgrade, which enables the iSCSI and FCoE support on the Embedded 10Gb Virtual Fabric Adapter.

Table 11. Feature on Demand upgrade for FCoE and iSCSI support

Part number	Feature code	Description	Maximum supported
90Y9310	A2TD	IBM Flex System Embedded 10Gb Virtual Fabric Upgrade	1

## I/O expansion options

The x240 has two I/O expansion connectors for attaching I/O adapter cards. There is a third expansion connector designed to connect an expansion node such as the PCIe Expansion Node. The I/O expansion connectors are a very high-density 216-pin PCIe connector. Installing I/O adapter cards allows the server to connect with switch modules in the IBM Flex System Enterprise Chassis. Each slot has a PCI Express 3.0 x16 host interface and both slots support the same form-factor adapters.

The following figure shows the location of the I/O expansion connectors.

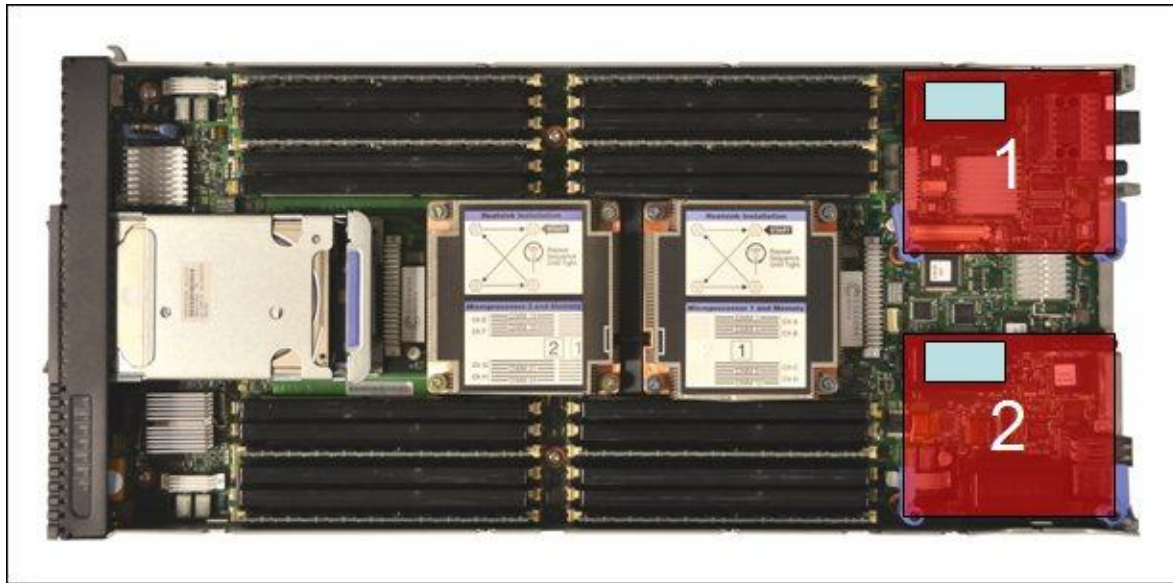


Figure 7. Location of the I/O adapter slots in the IBM Flex System x240 Compute Node

All I/O adapters are the same shape and can be used in any available slot.. A compatible switch or pass-through module must be installed in the corresponding I/O bays in the chassis, as indicated in the following table. Installing two switches means that all ports of the adapter are enabled, which improves performance and network availability.

Table 12. Adapter to I/O bay correspondence

I/O adapter slot in the server	Port on the adapter	Corresponding I/O module bay in the chassis
Slot 1	Port 1	Module bay 1
	Port 2	Module bay 2
	Port 3 (for 4-port cards)	Module bay 1
	Port 4 (for 4-port cards)	Module bay 2
Slot 2	Port 1	Module bay 3
	Port 2	Module bay 4
	Port 3 (for 4-port cards)	Module bay 3
	Port 4 (for 4-port cards)	Module bay 4

The following figure shows the location of the switch bays in the IBM Flex System Enterprise Chassis.

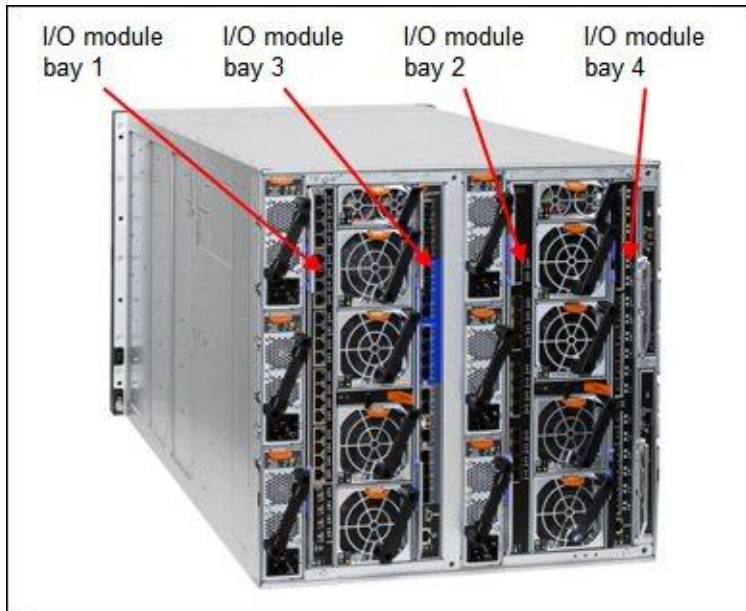


Figure 8. Location of the switch bays in the IBM Flex System Enterprise Chassis

The following figure shows how two-port adapters are connected to switches installed in the chassis.

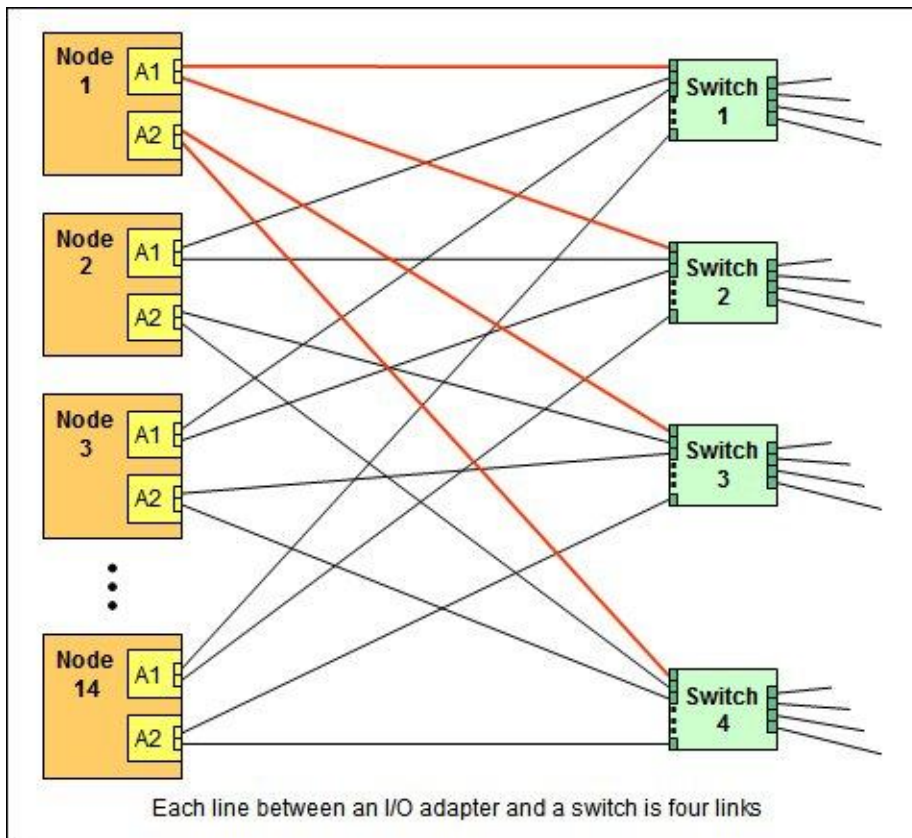


Figure 9. Logical layout of the interconnects between I/O adapters and I/O modules  
**IBM Flex System PCIe Expansion Node**

The x240 supports the attachment of the IBM Flex System PCIe Expansion Node. The IBM Flex System PCIe Expansion Node provides the ability to attach additional PCI Express cards such as High IOPS SSD adapters, fabric mezzanine cards, and next-generation graphics processing units (GPU) to supported IBM Flex System compute nodes. This capability is ideal for many applications that require high performance I/O, special telecommunications network interfaces, or hardware acceleration using a PCI Express card. The PCIe Expansion Node supports up to four PCIe 2.0 adapters and two additional Flex System expansion adapters.

The PCIe Expansion Node is attached to the x240 as shown in the following figure.

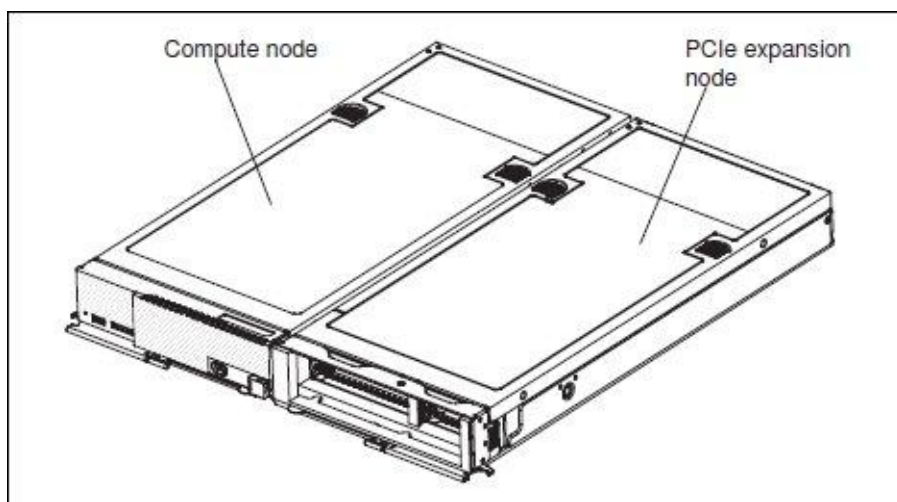


Figure 10. PCIe Expansion Node

The ordering information for the PCIe Expansion Node is shown in the following table.

Table 13. Ordering part number and feature code

Part number	Feature code	Description	Maximum supported
81Y8983	A1BV	IBM Flex System PCIe Expansion Node	1

The PCIe Expansion Node has the following features:

- Support for up to four standard PCIe 2.0 adapters:
  - Two PCIe 2.0 x16 slots that support full-length, full-height adapters
  - Two PCIe 2.0 x8 slots that support half-length, low-profile adapters
- Support for PCIe 3.0 adapters by operating them in PCIe 2.0 mode
- Support for one full-length, full-height double-wide adapter (consuming the space of the two full-length, full-height adapter slots)
- Support for PCIe cards with higher power requirements -- a single adapter card (up to 225W), or to two adapters (up to 150W each)
- Two Flex System I/O expansion connectors for to further expand the I/O capability of the attached compute node.

**Note:** The use of the PCIe Expansion Node requires that the x240 Compute Node have both processors installed.

For more information, see the IBM Redbooks Product Guide on the IBM Flex System PCIe Expansion Node, <http://www.redbooks.ibm.com/abstracts/tips0906.html?Open>

## Network adapters

As described in "Embedded 10Gb Virtual Fabric Adapter," certain models (those with a model number of the form x2x) have a 10Gb Ethernet controller on the system board, and its ports are routed to the midplane and switches installed in the chassis via a Compute Node Fabric Connector that takes the place of an adapter in I/O slot 1.

Models without the Embedded 10Gb Virtual Fabric Adapter (those with a model number of the form x1x) do not include any other Ethernet connections to the Enterprise Chassis midplane as standard. Therefore, for those models, an I/O adapter must be installed in either I/O connector 1 or I/O connector 2 to provide network connectivity between the server and the chassis midplane and ultimately to the network switches.

The following table lists the supported network adapters and upgrades. Adapters can be installed in either slot. However, compatible switches must be installed in the corresponding bays of the chassis. All adapters can also be installed in the PCIe Expansion Node. The "Maximum supported" column indicates the number of adapter than can be installed in the server and in the PCIe Expansion Node (PEN).

Table 14. Network adapters

Part number	Feature code	Description	Number of ports	Maximum supported (x240* / PEN)
<b>10 Gb Ethernet</b>				
90Y3554	A1R1	IBM Flex System CN4054 10 Gb Virtual Fabric Adapter	4	2 / 2
90Y3558	A1R0	IBM Flex System CN4054 Virtual Fabric Adapter (SW Upgrade) (Feature on Demand to provide FCoE and iSCSI support) (one license required per adapter)	License	2 / 2
90Y3466	A1QY	IBM Flex System EN4132 2-port 10 Gb Ethernet Adapter	2	2 / 2
<b>1 Gb Ethernet</b>				
49Y7900	A10Y	IBM Flex System EN2024 4-port 1 Gb Ethernet Adapter	4	2 / 2
<b>InfiniBand</b>				
90Y3454	A1QZ	IBM Flex System IB6132 2-port FDR InfiniBand Adapter	2	2 / 2

\* For x2x models with the Embedded 10Gb Virtual Fabric Adapter standard, the Compute Node Fabric Connector occupies the same space as an I/O adapter in I/O slot 1, so you have to remove the Fabric Connector if you plan to install an adapter in I/O slot 1.

## Storage host bus adapters

The following table lists storage HBAs supported by the x240 server.

Table 15. Storage adapters

Part number	Feature code	Description	Number of ports	Maximum supported*
Fibre Channel				
88Y6370	A1BP	IBM Flex System FC5022 2-port 16Gb FC Adapter	2	2
69Y1938	A1BM	IBM Flex System FC3172 2-port 8Gb FC Adapter	2	2
95Y2375	A2N5	IBM Flex System FC3052 2-port 8Gb FC Adapter	2	2

\* For x2x models with the Embedded 10Gb Virtual Fabric Adapter standard, the Compute Node Fabric Connector occupies the same space as an I/O adapter in I/O slot 1, so you have to remove the Fabric Connector if you plan to install an adapter in I/O slot 1.

## PCIe SSD adapters

The compute node supports the High IOPS SSD adapters listed in the following table.

**Note:** These adapters are installed in an attached PCIe Expansion Node.

Table 16. SSD adapters

Part number	Feature code	Description	Maximum supported
81Y4527	A1NB	1.28TB High IOPS MLC Duo Adapter for IBM System x	2
81Y4519	5985	640GB High IOPS MLC Duo Adapter for IBM System x	2
90Y4377	A3DY	IBM 1.2TB High IOPS MLC Mono Adapter	4
90Y4397	A3DZ	IBM 2.4TB High IOPS MLC Duo Adapter	2

For details about these adapters, see the IBM Redbooks Product Guide *IBM High IOPS SSD PCIe Adapters*, found at the following address:

<http://www.redbooks.ibm.com/abstracts/tips0729.html?Open>

## GPU adapters

The compute node supports the GPU adapters listed in the following table.

**Note:** These adapters are installed in an attached PCIe Expansion Node.

Table 17. GPU adapters

Part number	Feature code	Description	Maximum supported
94Y5960	A1R4	NVIDIA Tesla M2090	1*

\* When this double-wide adapter is installed in the PCIe Expansion Node, it occupies both full-height slots. The low-profile slots and Flex System I/O expansion slots can still be used.

## Power supplies

Server power is derived from the power supplies installed in the chassis. There are no server options regarding power supplies.

## Integrated virtualization

The x240 offers USB flash drive options preloaded with versions of VMware ESXi. This is an embedded version of VMware ESXi and is fully contained on the flash drive, without requiring any disk space. The USB memory key plugs into port 1 on the optional x240 USB Enablement Kit, 49Y8119. The kit offers two USB ports however only one VMware ESXi memory key can be installed.

The x240 USB Enablement Kit and the supported USB memory keys are listed in the following table.

**Note:** The x240 USB Enablement Kit and USB memory keys are not supported if the SSD Expansion Kit (90Y4391) is already installed, because these kits occupy the same location in the server.

Table 18. Virtualization options

Part number	Feature code	Description	Maximum supported
49Y8119	A3A3	x240 USB Enablement Kit	1
41Y8298	A2G0	IBM Blank USB Memory Key for VMware ESXi Downloads	1
41Y8300	A2VC	IBM USB Memory Key for VMware ESXi 5.0	1
41Y8307	A383	IBM USB Memory Key for VMware ESXi 5.0 Update 1	1

## Light path diagnostics

For quick problem determination when located physically at the server, the x240 offers a three-step guided path:

1. The Fault LED on the front panel
2. The light path diagnostics panel, shown in the following figure.
3. LEDs next to key components on the system board

The x240 light path diagnostics panel is visible when you remove the server from the chassis. The panel is located on the top right-hand side of the compute node, as shown in the following figure.





Figure 11. Location of x240 light path diagnostics panel

To illuminate the light path diagnostics LEDs, power off the compute node, slide it out of the chassis, and press the power button. The power button doubles as the light path diagnostics remind button when the server is removed from the chassis.

The meanings of the LEDs in the light path diagnostics panel are listed in the following table.

Table 19. Light path diagnostic panel LEDs

LED	Meaning
LP	The light path diagnostics panel is operational.
S BRD	A system board error is detected.
MIS	A mismatch has occurred between the processors, DIMMs, or HDDs within the configuration as reported by POST.
NMI	A non maskable interrupt (NMI) has occurred.
TEMP	An over-temperature condition occurs that was critical enough to shut down the server.
MEM	A memory fault has occurred. The corresponding DIMM error LEDs on the system board are also lit.
ADJ	A fault is detected in the adjacent expansion unit (if installed).

## Remote management

The server contains an IBM Integrated Management Module II (IMM2), which interfaces with the advanced management module in the chassis. The combination of these provides advanced service-processor control, monitoring, and an alerting function. If an environmental condition exceeds a threshold or if a system component fails, LEDs on the system board are lit to help you diagnose the problem, the error is recorded in the event log, and you are alerted to the problem. A virtual presence capability comes standard for remote server management.

Remote server management is provided through industry-standard interfaces:

- Intelligent Platform Management Interface (IPMI) Version 2.0
- Simple Network Management Protocol (SNMP) Version 3
- Common Information Model (CIM)
- Web browser

The server also supports virtual media and remote control features, which provide the following functions:

- Remotely viewing video with graphics resolutions up to 1600x1200 at 75 Hz with up to 23 bits per pixel, regardless of the system state
- Remotely accessing the server using the keyboard and mouse from a remote client
- Mapping the CD or DVD drive, diskette drive, and USB flash drive on a remote client, and mapping ISO and diskette image files as virtual drives that are available for use by the server
- Uploading a diskette image to the IMM2 memory and mapping it to the server as a virtual drive
- Capturing blue-screen errors

## Supported operating systems

The server supports the following operating systems:

- Microsoft Windows Server 2008 HPC Edition
- Microsoft Windows Server 2008 R2
- Microsoft Windows Server 2008, Datacenter x64 Edition
- Microsoft Windows Server 2008, Enterprise x64 Edition
- Microsoft Windows Server 2008, Standard x64 Edition
- Microsoft Windows Server 2008, Web x64 Edition
- Red Hat Enterprise Linux 5 Server with Xen x64 Edition
- Red Hat Enterprise Linux 5 Server x64 Edition
- Red Hat Enterprise Linux 6 Server x64 Edition
- SUSE LINUX Enterprise Server 10 for AMD64/EM64T
- SUSE LINUX Enterprise Server 11 for AMD64/EM64T
- SUSE LINUX Enterprise Server 11 with Xen for AMD64/EM64T
- VMware ESX 4.1
- VMware ESXi 4.1
- VMware vSphere 5
- VMware vSphere 5.1

**Note:** Support by some of these operating system versions will be after the date of initial availability. Check the ServerProven® website for the latest information about the specific versions and service levels supported and any other prerequisites:

<http://www.ibm.com/systems/info/x86servers/serverproven/compat/us/nos/matrix.shtml>

## Physical specifications

Dimensions and weight (approximate):

- Height: 56 mm (2.2 in)
- Depth: 492 mm (19.4 in)
- Width: 217 mm (8.6 in)
- Maximum weight: 7.1 kg (15.6 lb)

Shipping dimensions and weight (approximate):

- Height: 197 mm (7.8 in)
- Depth: 603 mm (23.7 in)
- Width: 430 mm (16.9 in)
- Weight: 8 kg (17.6 lb)

## Supported environment

The IBM Flex System x240 compute node complies with ASHRAE Class A3 specifications.

This is the supported operating environment:

Power on:

- Temperature: 5 - 40 °C (41 - 104 °F)
- Humidity, non-condensing: -12 °C dew point (10.4 °F) and 8 - 85% relative humidity
- Maximum dew point: 24 °C (75 °F)
- Maximum altitude: 3048 m (10,000 ft)
- Maximum rate of temperature change: 5 °C/hr (41 °F/hr)

Power off:

- Temperature: 5 - 45 °C (41 - 113 °F)
- Relative humidity: 8 - 85%
- Maximum dew point: 27 °C (80.6 °F)

Storage (non-operating):

- Temperature: 1 - 60 °C (33.8 - 140 °F)
- Altitude: 3050 m (10,006 ft)
- Relative humidity: 5 - 80%
- Maximum dew point: 29 °C (84.2 °F)

Shipment (non-operating):

- Temperature: -40 - 60 °C (-40 - 140 °F)
- Altitude: 10,700 m (35,105 ft)
- Relative humidity: 5 - 100%
- Maximum dew point: 29 °C (84.2 °F)

## Warranty options

The IBM Flex System x240 Compute Node has a three-year on-site warranty with 9x5 next-business-day terms. IBM offers the warranty service upgrades through IBM ServicePac, discussed in this section. The IBM ServicePac is a series of prepackaged warranty maintenance upgrades and post-warranty maintenance agreements with a well-defined scope of services, including service hours, response time, term of service, and service agreement terms and conditions.

IBM ServicePac offerings are country-specific. That is, each country might have its own service types, service levels, response times, and terms and conditions. Not all covered types of ServicePac might be available in a particular country. For more information about IBM ServicePac offerings available in your country, see the IBM ServicePac Product Selector at <https://www-304.ibm.com/sales/gss/download/spst/servicepac>.

The following table explains warranty service definitions in more detail.

Table 20. Warranty service definitions

Term	Description
IBM on-site repair (IOR)	A service technician will come to the server's location for equipment repair.
24x7x2 hour	A service technician is scheduled to arrive at your customer's location within two hours after remote problem determination is completed. We provide 24-hour service, every day, including IBM holidays.
24x7x4 hour	A service technician is scheduled to arrive at your customer's location within four hours after remote problem determination is completed. We provide 24-hour service, every day, including IBM holidays.
9x5x4 hour	A service technician is scheduled to arrive at your customer's location within four business hours after remote problem determination is completed. We provide service from 8:00 a.m. to 5:00 p.m. in the customer's local time zone, Monday through Friday, excluding IBM holidays. If after 1:00 p.m. it is determined that on-site service is required, the customer can expect the service technician to arrive the morning of the following business day. For noncritical service requests, a service technician will arrive by the end of the following business day.
9x5 next business day	A service technician is scheduled to arrive at your customer's location on the business day after we receive your call, following remote problem determination. We provide service from 8:00 a.m. to 5:00 p.m. in the customer's local time zone, Monday through Friday, excluding IBM holidays.

In general, these are the types of IBM ServicePacs:

- Warranty and maintenance service upgrades
  - One, two, three, four, or five years of 9x5 or 24x7 service coverage
  - On-site repair from the next business day to four or two hours
  - One or two years of warranty extension
- Remote technical support services
  - One or three years with 24x7 coverage (severity 1) or 9-5 next business day for all severities
  - Installation and startup support for System x® servers
  - Remote technical support for System x servers
  - Software support - Support Line
    - Microsoft or Linux software
    - VMware
    - IBM Systems Director

## Regulatory compliance

The server conforms to the following standards:

- ASHRAE Class A3
- FCC - Verified to comply with Part 15 of the FCC Rules Class A
- Canada ICES-004, issue 3 Class A
- UL/IEC 60950-1
- CSA C22.2 No. 60950-1
- NOM-019
- Argentina IEC 60950-1
- Japan VCCI, Class A
- IEC 60950-1 (CB Certificate and CB Test Report)
- China CCC (GB4943); (GB9254, Class A); (GB17625.1)
- Taiwan BSMI CNS13438, Class A; CNS14336
- Australia/New Zealand AS/NZS CISPR 22, Class A
- Korea KN22, Class A, KN24
- Russia/GOST ME01, IEC 60950-1, GOST R 51318.22, GOST R 51318.249, GOST R 51317.3.2, GOST R 51317.3.3
- IEC 60950-1 (CB Certificate and CB Test Report)
- CE Mark (EN55022 Class A, EN60950-1, EN55024, EN61000-3-2, EN61000-3-3)
- CISPR 22, Class A
- TUV-GS (EN60950-1/IEC 60950-1, EK1-ITB2000)

## IBM Global Financing

IBM Global Financing can help you obtain the IT solution you need while preserving funding for other strategic investments and optimizing cash flow. Our Fair Market Value (FMV) lease helps ensure that you have the latest IBM technology and with our mid-lease upgrade capability, you can increase the capacity of the system with little to no change in monthly payments. At the end of the lease, take advantage of our flexible end-of-lease options to fit your changing business needs. IBM Global Financing has the breadth and depth of offerings, longevity, proven success and global reach to help you develop a robust financing and asset management strategy that provides you the opportunity to leverage new technologies and turn your ambitious vision into a tangible solution.

Here are some other reasons why working with us makes solid financial sense:

- Expand your purchasing power—Affordable monthly payments allow you to change the technology acquisition discussion from “what can I afford right now” to “what solution is really right for my business.” IBM Global Financing allows you to expand your purchase power to get you the right solution.
- Accelerate your project’s cash flow break-even point—Acquire your IBM technology today and begin to realize its benefits now. An FMV lease can help you get the solution you need now, with low monthly payments that better align upfront costs with the anticipated return on investment from the technology.
- Easy to acquire with affordable rates—We offer one-stop shopping for a total IT solution, so you can acquire IBM hardware, software, services and the financing you need—from one IT provider.

Plus, we provide simple, easy-to-understand contracts and quick approvals. As the world’s largest IT financing provider, with an asset base of US\$35.8 billion and over 125,000 customers, IBM Global Financing offers highly competitive rates that promote low total cost of ownership and low monthly payments.

IBM Global Financing operates in more than 50 countries. Go to <http://ibm.com/financing> for financing options in your country and to contact a local financing specialist.

IBM Global Financing offerings are provided through IBM Credit LLC in the United States and other IBM subsidiaries and divisions worldwide to qualified commercial and government clients. Rates and availability subject to client’s credit rating, financing terms, offering type, equipment and product type and options, and may vary by country. Non-hardware items must be one-time, non-recurring charges and are financed by means of loans. Other restrictions may apply. Rates and offerings are subject to change, extension or withdrawal without notice and may not be available in all countries. Please contact your local IBM Global Financing representative for additional detail.

## Related publications and links

For more information, see the following resources:

- IBM US Product Announcement  
<http://ibm.com/common/ssi/cgi-bin/ssialias?infotype=dd&subtype=ca&&htmlfid=897/ENUS112-052>
- IBM Flex System x240 Compute Node product page  
<http://ibm.com/systems/flex/compute-nodes/x86/bto/>
- IBM Flex System Information Center  
<http://publib.boulder.ibm.com/infocenter/flexsys/information/index.jsp>
- IBM Flex System x240 Compute Node Installation and Service Guide  
[http://publib.boulder.ibm.com/infocenter/flexsys/information/topic/com.ibm.acc.8737.doc/printable\\_doc.html](http://publib.boulder.ibm.com/infocenter/flexsys/information/topic/com.ibm.acc.8737.doc/printable_doc.html)
- ServerProven for IBM Flex System  
<http://ibm.com/systems/info/x86servers/serverproven/compat/us/flexsystems.html>
- ServerProven hardware compatibility page for the x240  
[http://ibm.com/systems/info/x86servers/serverproven/compat/us/flex/8737\\_7863.html](http://ibm.com/systems/info/x86servers/serverproven/compat/us/flex/8737_7863.html)
- ServerProven compatibility page for operating system support  
<http://ibm.com/systems/info/x86servers/serverproven/compat/us/nos/flexmatrix.shtml>
- IBM Redbooks® Product Guides for IBM Flex System servers and options  
<http://www.redbooks.ibm.com/Redbooks.nsf/portals/puresystems?Open&page=pgbycat>
- IBM Flex System Interoperability Guide  
<http://www.redbooks.ibm.com/fsig>
- Configuration and Option Guide  
<http://www.ibm.com/systems/xbc/cog/>
- xREF - IBM System x Reference Sheets  
<http://www.redbooks.ibm.com/xref>
- IBM System x Support Portal  
<http://ibm.com/support/entry/portal/>
- IBM System Storage® Interoperation Center  
<http://www.ibm.com/systems/support/storage/ssic>

# Notices

This information was developed for products and services offered in the U.S.A.

IBM may not offer the products, services, or features discussed in this document in other countries. Consult your local IBM representative for information on the products and services currently available in your area. Any reference to an IBM product, program, or service is not intended to state or imply that only that IBM product, program, or service may be used. Any functionally equivalent product, program, or service that does not infringe any IBM intellectual property right may be used instead. However, it is the user's responsibility to evaluate and verify the operation of any non-IBM product, program, or service. IBM may have patents or pending patent applications covering subject matter described in this document. The furnishing of this document does not give you any license to these patents. You can send license inquiries, in writing, to:

*IBM Director of Licensing, IBM Corporation, North Castle Drive, Armonk, NY 10504-1785 U.S.A.*

**The following paragraph does not apply to the United Kingdom or any other country where such provisions are inconsistent with local law:** INTERNATIONAL BUSINESS MACHINES CORPORATION PROVIDES THIS PUBLICATION "AS IS" WITHOUT WARRANTY OF ANY KIND, EITHER EXPRESS OR IMPLIED, INCLUDING, BUT NOT LIMITED TO, THE IMPLIED WARRANTIES OF NON-INFRINGEMENT, MERCHANTABILITY OR FITNESS FOR A PARTICULAR PURPOSE. Some states do not allow disclaimer of express or implied warranties in certain transactions, therefore, this statement may not apply to you. This information could include technical inaccuracies or typographical errors. Changes are periodically made to the information herein; these changes will be incorporated in new editions of the publication. IBM may make improvements and/or changes in the product(s) and/or the program(s) described in this publication at any time without notice.

Any references in this information to non-IBM Web sites are provided for convenience only and do not in any manner serve as an endorsement of those Web sites. The materials at those Web sites are not part of the materials for this IBM product and use of those Web sites is at your own risk. IBM may use or distribute any of the information you supply in any way it believes appropriate without incurring any obligation to you. Information concerning non-IBM products was obtained from the suppliers of those products, their published announcements or other publicly available sources. IBM has not tested those products and cannot confirm the accuracy of performance, compatibility or any other claims related to non-IBM products. Questions on the capabilities of non-IBM products should be addressed to the suppliers of those products. This information contains examples of data and reports used in daily business operations. To illustrate them as completely as possible, the examples include the names of individuals, companies, brands, and products. All of these names are fictitious and any similarity to the names and addresses used by an actual business enterprise is entirely coincidental.

Any performance data contained herein was determined in a controlled environment. Therefore, the results obtained in other operating environments may vary significantly. Some measurements may have been made on development-level systems and there is no guarantee that these measurements will be the same on generally available systems. Furthermore, some measurement may have been estimated through extrapolation. Actual results may vary. Users of this document should verify the applicable data for their specific environment.

## COPYRIGHT LICENSE:

This information contains sample application programs in source language, which illustrate programming techniques on various operating platforms. You may copy, modify, and distribute these sample programs in any form without payment to IBM, for the purposes of developing, using, marketing or distributing application programs conforming to the application programming interface for the operating platform for which the sample programs are written. These examples have not been thoroughly tested under all conditions. IBM, therefore, cannot guarantee or imply reliability, serviceability, or function of these programs.

**© Copyright International Business Machines Corporation 2012. All rights reserved.**

Note to U.S. Government Users Restricted Rights -- Use, duplication or disclosure restricted by GSA ADP Schedule Contract with IBM Corp.



This document was created or updated on January 18, 2013.

Send us your comments in one of the following ways:

- Use the online **Contact us** review form found at:  
[ibm.com/redbooks](http://ibm.com/redbooks)
- Send your comments in an e-mail to:  
[redbook@us.ibm.com](mailto:redbook@us.ibm.com)
- Mail your comments to:  
IBM Corporation, International Technical Support Organization  
Dept. HYTD Mail Station P099  
2455 South Road  
Poughkeepsie, NY 12601-5400 U.S.A.

This document is available online at <http://www.ibm.com/redbooks/abstracts/tips0860.html> .

## Trademarks

IBM, the IBM logo, and [ibm.com](http://ibm.com) are trademarks or registered trademarks of International Business Machines Corporation in the United States, other countries, or both. These and other IBM trademarked terms are marked on their first occurrence in this information with the appropriate symbol (® or ™), indicating US registered or common law trademarks owned by IBM at the time this information was published. Such trademarks may also be registered or common law trademarks in other countries. A current list of IBM trademarks is available on the Web at <http://www.ibm.com/legal/copytrade.shtml>

The following terms are trademarks of the International Business Machines Corporation in the United States, other countries, or both:

BladeCenter®  
Calibrated Vected Cooling™  
IBM Flex System™  
IBM®  
PowerPC®  
Redbooks®  
Redbooks (logo)®  
ServerProven®  
ServicePac®  
System Storage®  
System x®

The following terms are trademarks of other companies:

Intel Xeon, Intel, Intel logo, Intel Inside logo, and Intel Centrino logo are trademarks or registered trademarks of Intel Corporation or its subsidiaries in the United States and other countries.

Microsoft, Windows, and the Windows logo are trademarks of Microsoft Corporation in the United States, other countries, or both.

Java and all Java-based trademarks are trademarks of Sun Microsystems, Inc. in the United States, other countries, or both.

Linux is a trademark of Linus Torvalds in the United States, other countries, or both.

Other company, product, or service names may be trademarks or service marks of others.