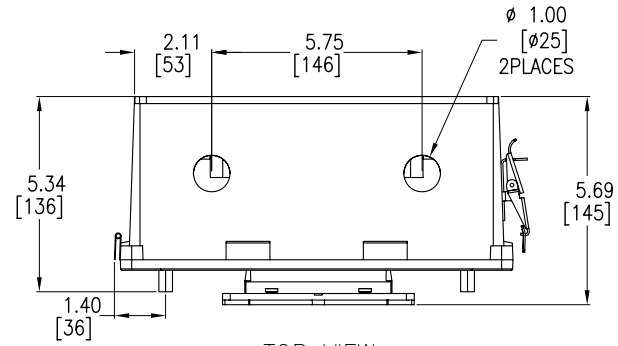
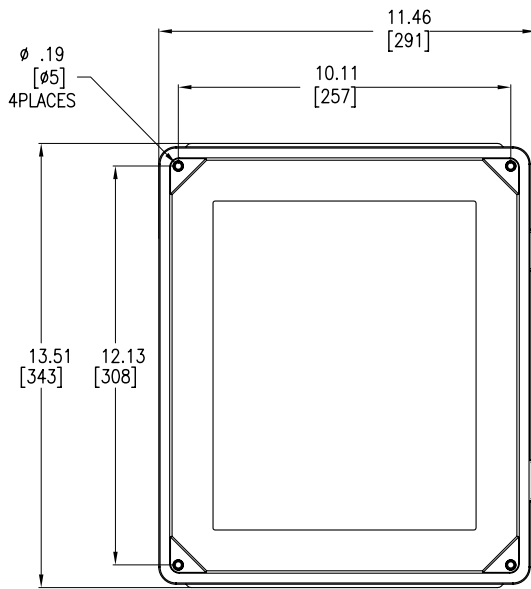


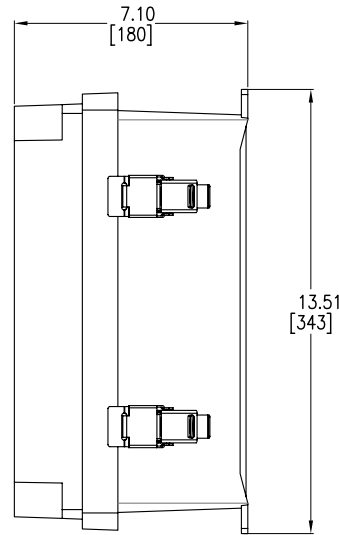
TOP VIEW



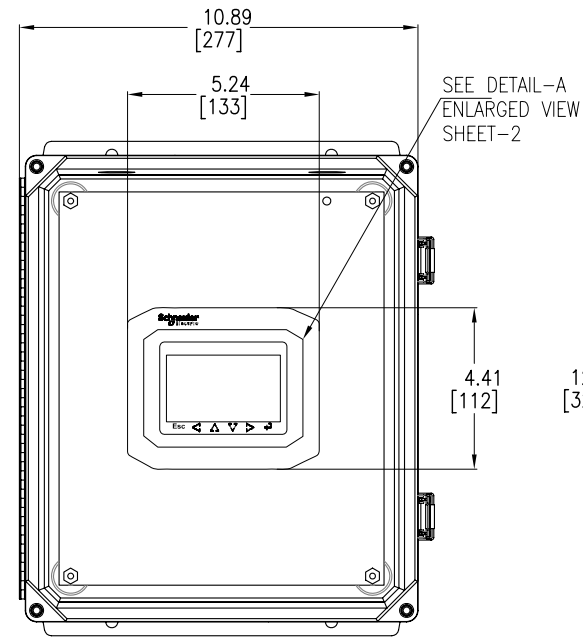
TOP VIEW



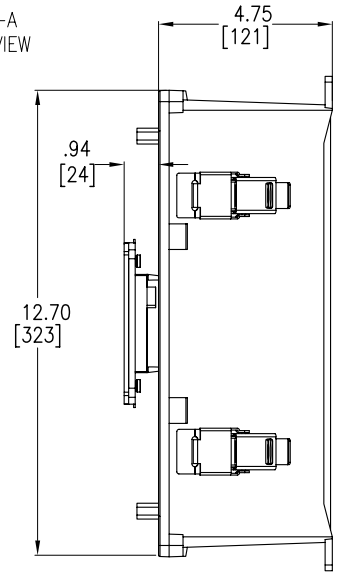
FRONT VIEW



SIDE VIEW



FRONT VIEW
(FRONT COVER OPEN)



SIDE VIEW

NOTES:

1. INSTALLATION SHALL COMPLY WITH ALL APPLICABLE NATIONAL, STATE AND LOCAL CODES.
2. PLEASE REFER TO PRODUCT MANUALS PRIOR TO INSTALLATION AND SITE PREPARATION WORK FOR FURTHER DETAILS.
3. ALL DIMENSIONS ARE IN INCHES [MILLIMETERS].
4. FRONT AND REAR ACCESS ARE REQUIRED FOR SERVICE.
MINIMUM RECOMMENDED FRONT CLEARANCE IS 39.4 [1000]
5. WEIGHT OF THE UNIT IS 11 lbs [5 kg].

THIS DRAWING AND SPECIFICATIONS HEREIN ARE THE PROPERTY OF SCHNEIDER ELECTRIC AND SHALL NOT BE COPIED, REPRODUCED OR USED IN WHOLE OR IN PART, AS THE BASIS FOR THE MANUFACTURE OR SALE OF ITEMS WITHOUT WRITTEN PERMISSION FROM SCHNEIDER ELECTRIC. THIS DRAWING IS BASED UPON LATEST AVAILABLE INFORMATION AND IS SUBJECT TO CHANGE WITHOUT NOTICE.



TITLE: EcoBreeze
REMOTE DISPLAY
MAIN MECHANICAL

PROJECT: SUBMITTAL DRAWINGS SHEET 1 OF 2

DWG NO: ACECCP100

DRAWN BY: C KRISHNA 02-AUG-11

ENGINEER: K BAER 02-AUG-11

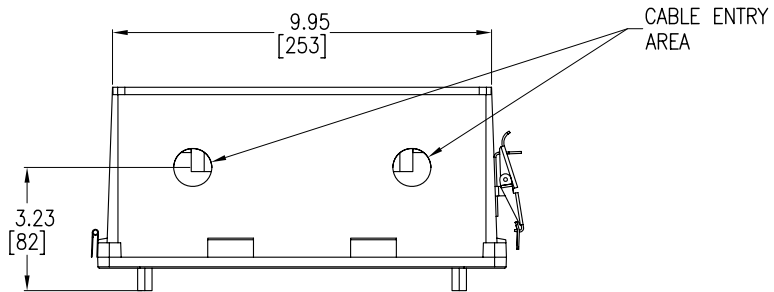
APPROVED BY: C CUMMISKEY/C.COOSTEA 02-AUG-11

REV. 0

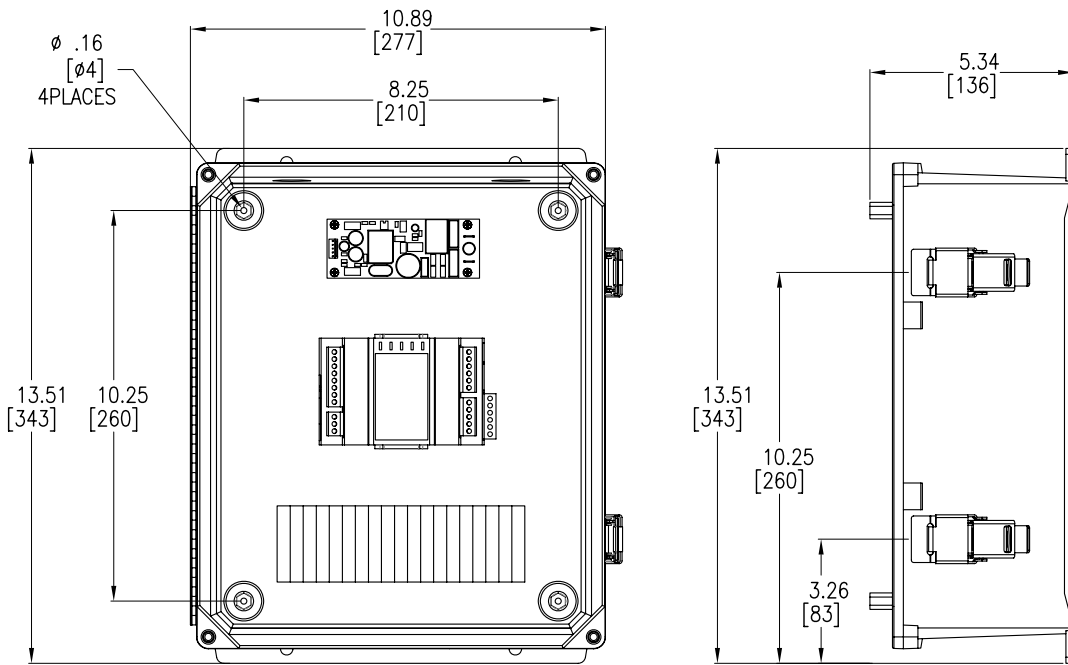
THIRD

ANGLE

PROJECTION



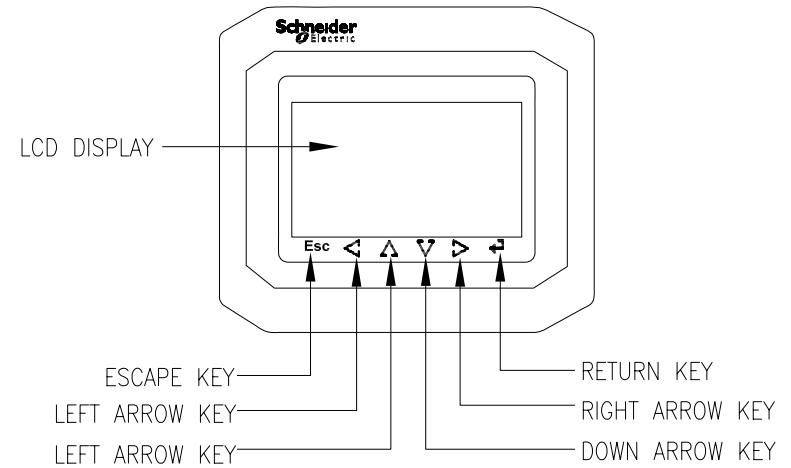
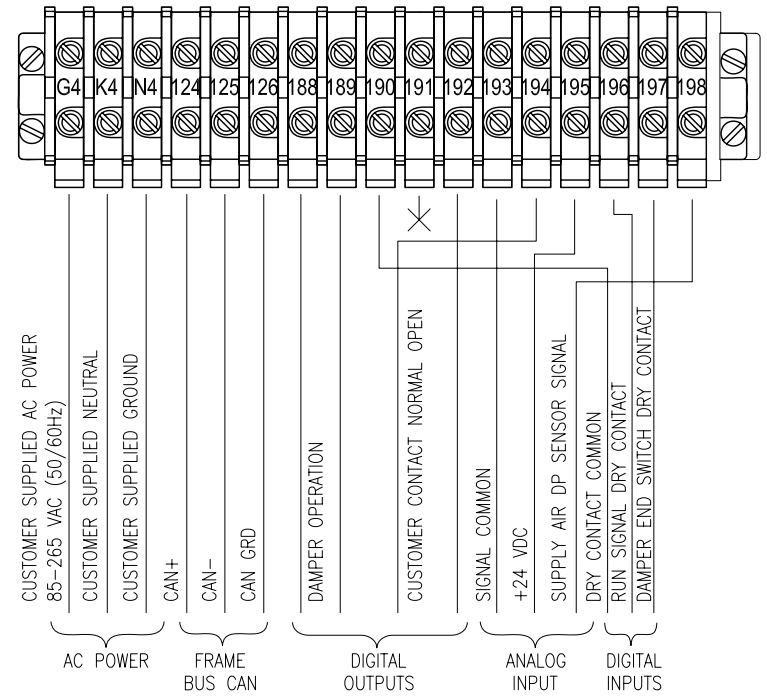
TOP VIEW



INTERNAL FRONT VIEW

SIDE VIEW

REMOTE DISPLAY PANEL
USER INTERFACE CONNECTIONS



DETAIL-A
DISPLAY ENLARGED VIEW

NOTES:

1. INSTALLATION SHALL COMPLY WITH ALL APPLICABLE NATIONAL, STATE AND LOCAL CODES.
2. PLEASE REFER TO PRODUCT MANUALS PRIOR TO INSTALLATION AND SITE PREPARATION WORK FOR FURTHER DETAILS.
3. ALL DIMENSIONS ARE IN INCHES [MILLIMETERS].

THIS DRAWING AND SPECIFICATIONS HEREIN ARE THE PROPERTY OF SCHNEIDER ELECTRIC AND SHALL NOT BE COPIED, REPRODUCED OR USED IN WHOLE OR IN PART, AS THE BASIS FOR THE MANUFACTURE OR SALE OF ITEMS WITHOUT WRITTEN PERMISSION FROM SCHNEIDER ELECTRIC. THIS DRAWING IS BASED UPON LATEST AVAILABLE INFORMATION AND IS SUBJECT TO CHANGE WITHOUT NOTICE.



TITLE: EcoBreeze
REMOTE DISPLAY
INTERNAL VIEW

PROJECT: SUBMITTAL DRAWINGS SHEET 2 OF 2

DWG NO: ACECCP100

REV: 0

DRAWN BY: C KRISHNA 02-AUG-11 THIRD ANGLE

ENGINEER: K BAER 02-AUG-11

APPROVED BY: C CUMMISKEY/C.COOSTEA 02-AUG-11 PROJECTION