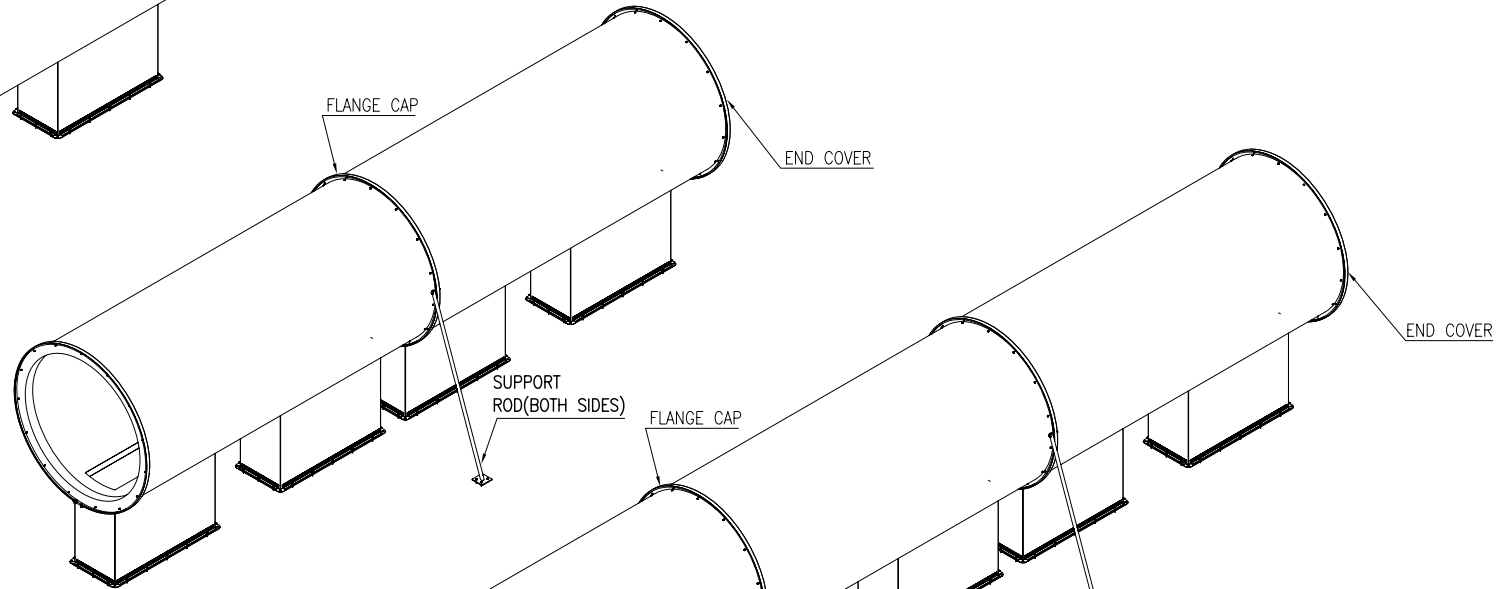
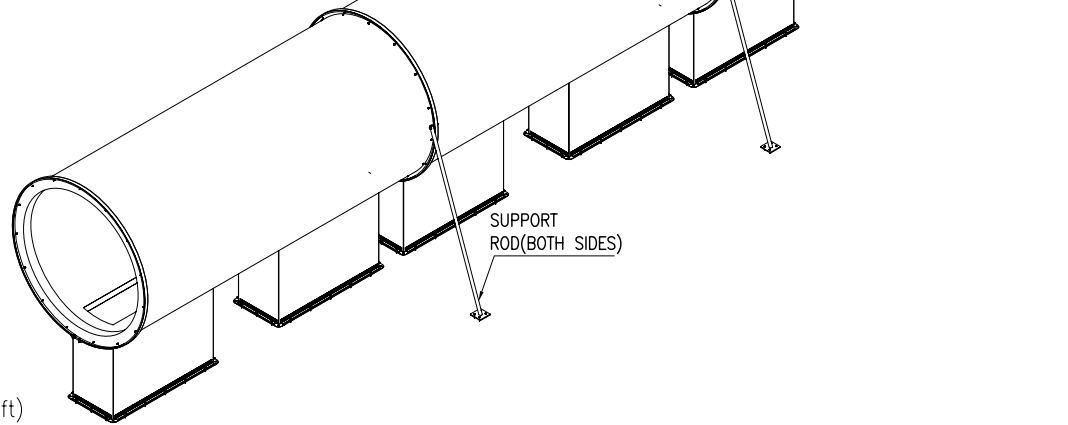


DISCHARGE AIR DUCT 10ft



ASSEMBLY FOR
4 MODULE SOLUTION
(USED ON FRAME-20ft)



ASSEMBLY FOR
8 MODULE SOLUTION
(USED ON FRAME-40ft)

NOTES:

1. INSTALLATION SHALL COMPLY WITH ALL APPLICABLE NATIONAL, STATE AND LOCAL CODES.
2. PLEASE REFER TO PRODUCT MANUALS PRIOR TO INSTALLATION AND SITE PREPARATION WORK FOR FURTHER DETAILS.

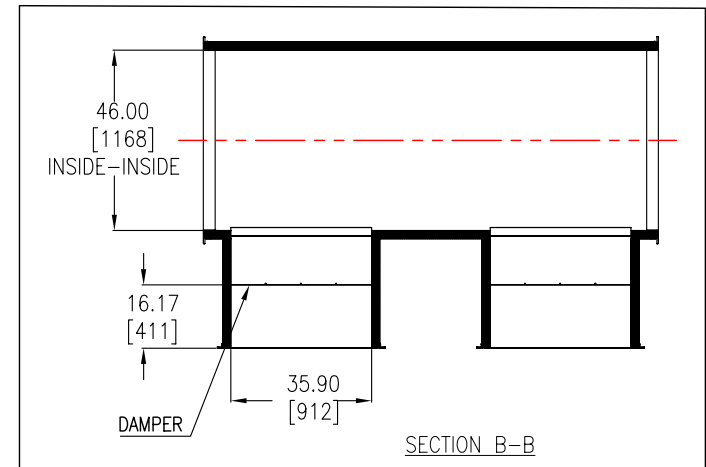
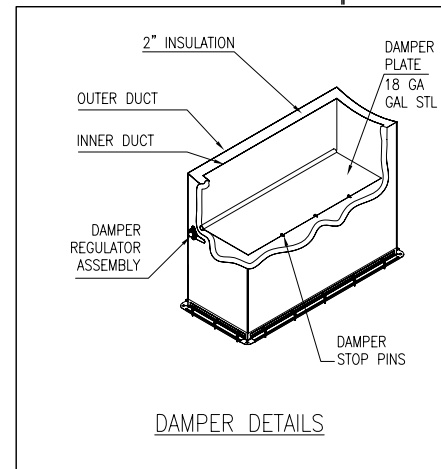
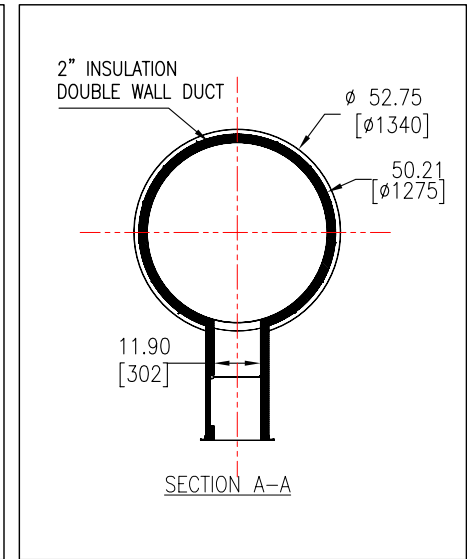
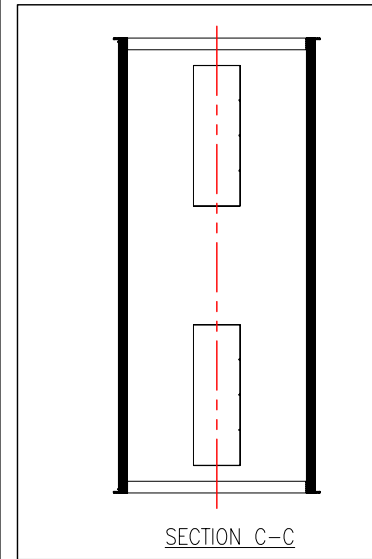
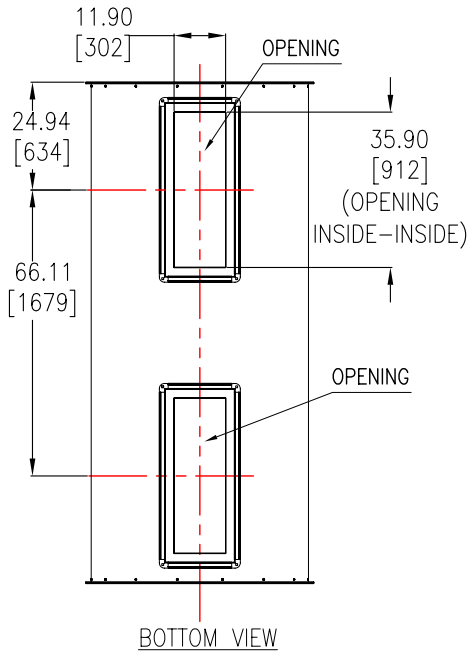
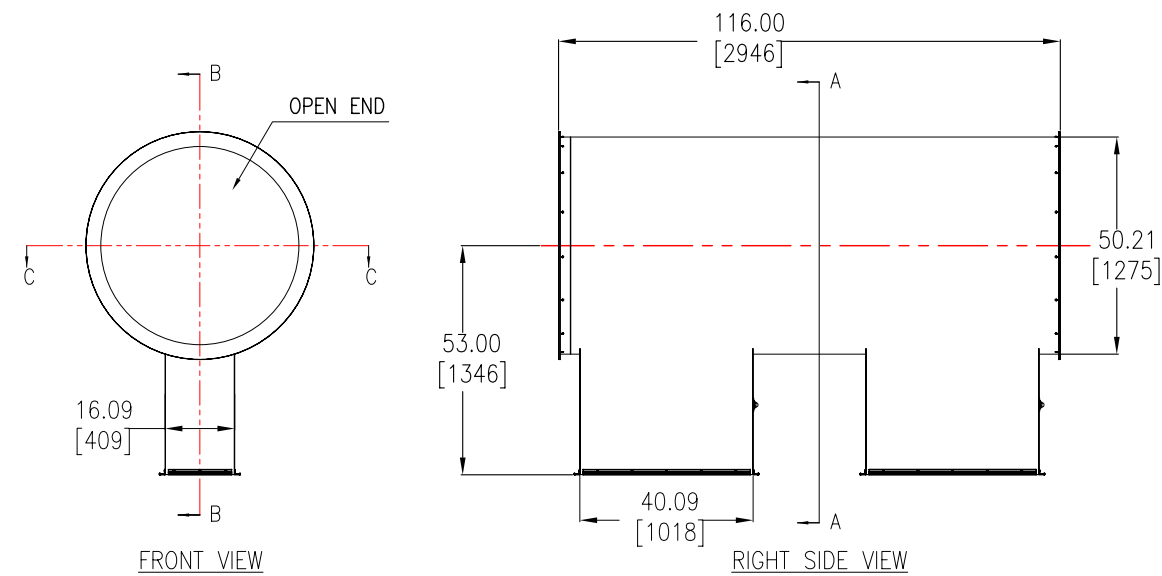
THIS DRAWING AND SPECIFICATIONS HEREIN ARE THE PROPERTY OF SCHNEIDER ELECTRIC AND SHALL NOT BE COPIED, REPRODUCED OR USED IN WHOLE OR IN PART, AS THE BASIS FOR THE MANUFACTURE OR SALE OF ITEMS WITHOUT WRITTEN PERMISSION FROM SCHNEIDER ELECTRIC. THIS DRAWING IS BASED UPON LATEST AVAILABLE INFORMATION AND IS SUBJECT TO CHANGE WITHOUT NOTICE.



TITLE:
ECOBREEZE
10ft (3m) RETURN DUCT
ISOMETRIC VIEW

PROJECT: SUBMITTAL DRAWINGS SHEET 1 OF 5

DWG NO:	ACECRTN10	REV.	0
DRAWN BY:	K.NAGENDRA	04-AUG-11	THIRD
ENGINEER:	K.BAER/R.KUNAPULI	04-AUG-11	ANGLE
APPROVED BY:	C.CUMMISKEY/C.COSTEA	04-AUG-11	PROJECTION



NOTES:

1. INSTALLATION SHALL COMPLY WITH ALL APPLICABLE NATIONAL, STATE AND LOCAL CODES.
2. PLEASE REFER TO PRODUCT MANUALS PRIOR TO INSTALLATION AND SITE PREPARATION WORK FOR FURTHER DETAILS.
3. ALL DIMENSIONS ARE IN INCHES [MILLIMETERS].
4. WEIGHT OF THE UNIT 750 LBS[341 kg]

THIS DRAWING AND SPECIFICATIONS HEREIN ARE THE PROPERTY OF SCHNEIDER ELECTRIC AND SHALL NOT BE COPIED, REPRODUCED OR USED IN WHOLE OR IN PART, AS THE BASIS FOR THE MANUFACTURE OR SALE OF ITEMS WITHOUT WRITTEN PERMISSION FROM SCHNEIDER ELECTRIC. THIS DRAWING IS BASED UPON LATEST AVAILABLE INFORMATION AND IS SUBJECT TO CHANGE WITHOUT NOTICE.

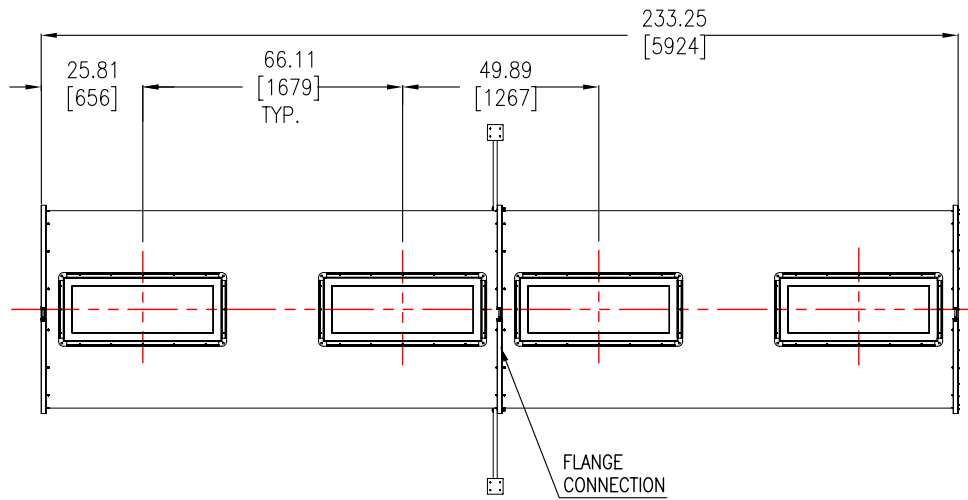


TITLE:
ECOBREEZE
10ft (3m) RETURN DUCT
MAIN MECHANICAL

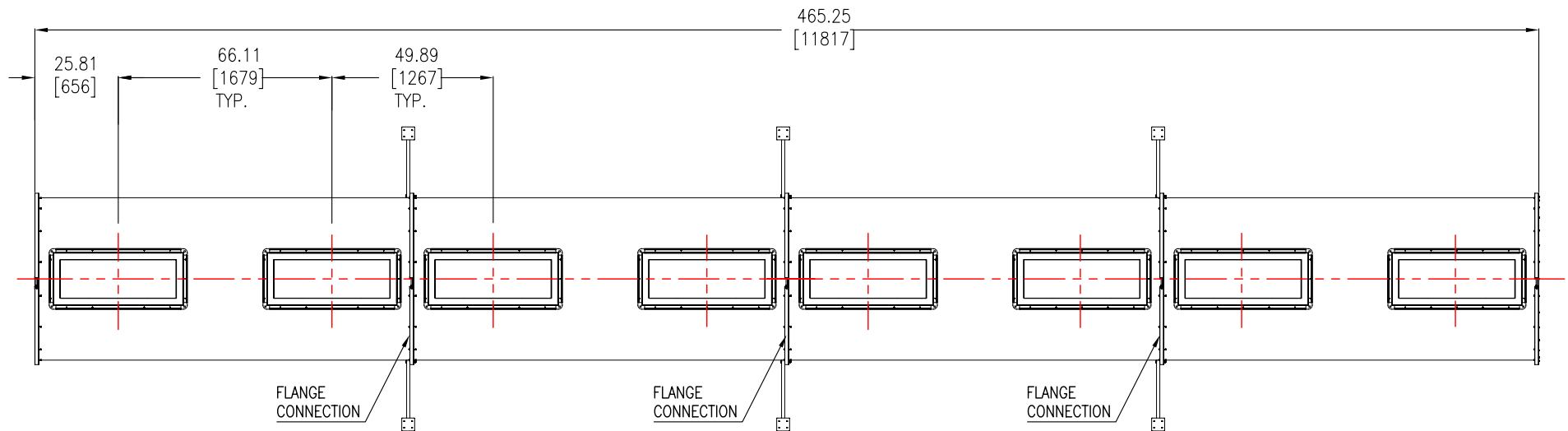
PROJECT: SUBMITTAL DRAWINGS SHEET 2 OF 5

DWG NO: ACECRTN10 REV. 0

DRAWN BY: K.NAGENDRA 04-AUG-11 THIRD ANGLE
ENGINEER: K.BAER/R.KUNAPULI 04-AUG-11
APPROVED BY: CUMMISKEY/C.COSTEA 04-AUG-11 PROJECTION



BOTTOM VIEW
DUCT ASSEMBLY FOR 4-MODULE SOLUTION



BOTTOM VIEW
DUCT ASSEMBLY FOR 8-MODULE SOLUTION

NOTES:

1. INSTALLATION SHALL COMPLY WITH ALL APPLICABLE NATIONAL, STATE AND LOCAL CODES.
2. PLEASE REFER TO PRODUCT MANUALS PRIOR TO INSTALLATION AND SITE PREPARATION WORK FOR FURTHER DETAILS.
3. ALL DIMENSIONS ARE IN INCHES [MILLIMETERS].
4. WEIGHT OF THE UNIT

4-MODULE SOLUTION 1550 LBS [704.5 kg]
8-MODULE SOLUTION 3120 LBS [1418 kg]

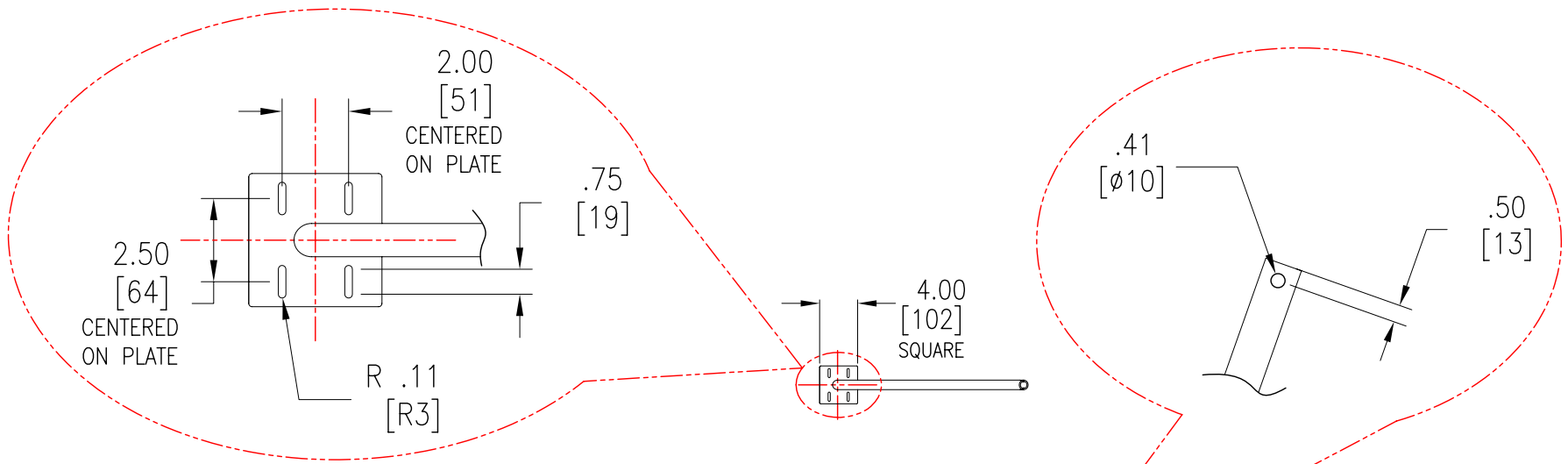
THIS DRAWING AND SPECIFICATIONS HEREIN ARE THE PROPERTY OF SCHNEIDER ELECTRIC AND SHALL NOT BE COPIED, REPRODUCED OR USED IN WHOLE OR IN PART, AS THE BASIS FOR THE MANUFACTURE OR SALE OF ITEMS WITHOUT WRITTEN PERMISSION FROM SCHNEIDER ELECTRIC. THIS DRAWING IS BASED UPON LATEST AVAILABLE INFORMATION AND IS SUBJECT TO CHANGE WITHOUT NOTICE.



TITLE:
ECOBREEZE
10ft (3m) RETURN DUCT
DUCT ASSEMBLY

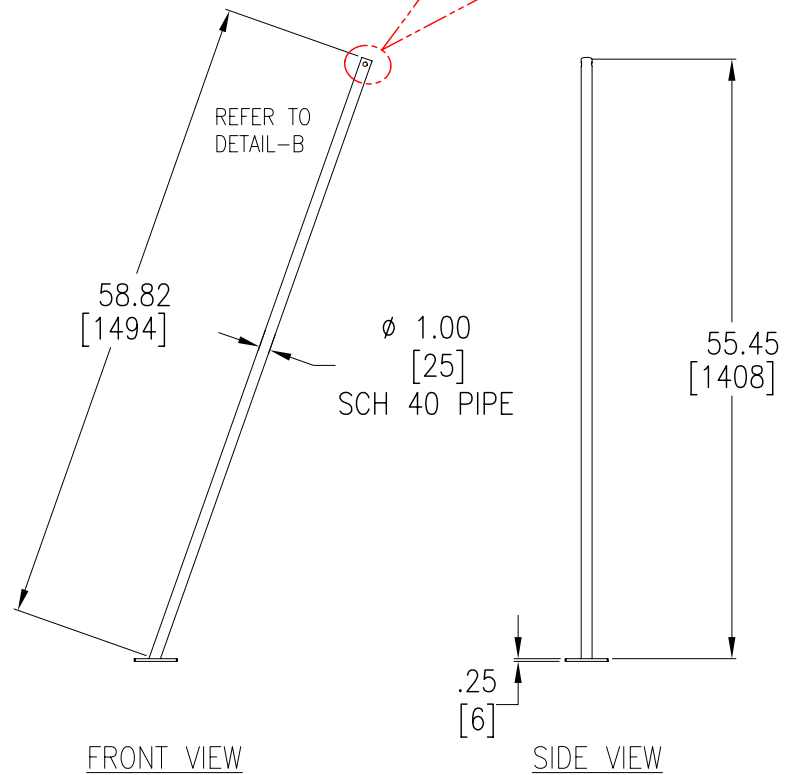
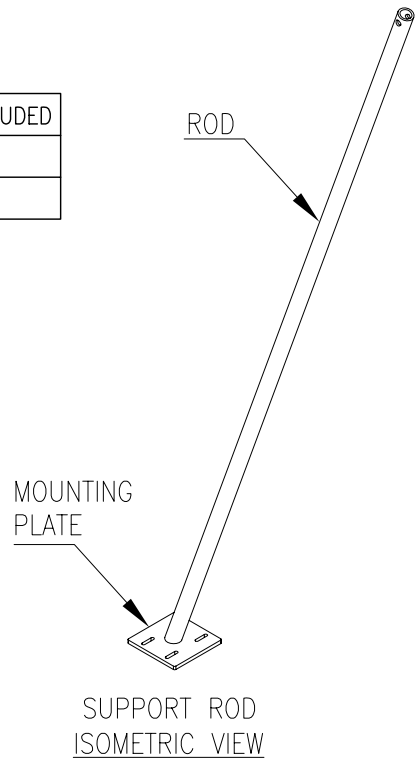
PROJECT: SUBMITTAL DRAWINGS SHEET 3 OF 5

DWG NO:	ACECRTN10	REV.	0
DRAWN BY:	K.NAGENDRA	04-AUG-11	THIRD
ENGINEER:	K.BAER/R.KUNAPULI	04-AUG-11	ANGLE
APPROVED BY:	C.CUMMISKEY/C.COSTEA	04-AUG-11	PROJECTION



TOP VIEW

SKU	QTY.INCLUDED
ACECMISC20	2
ACECMISC40	6



FRONT VIEW

SIDE VIEW

NOTES:

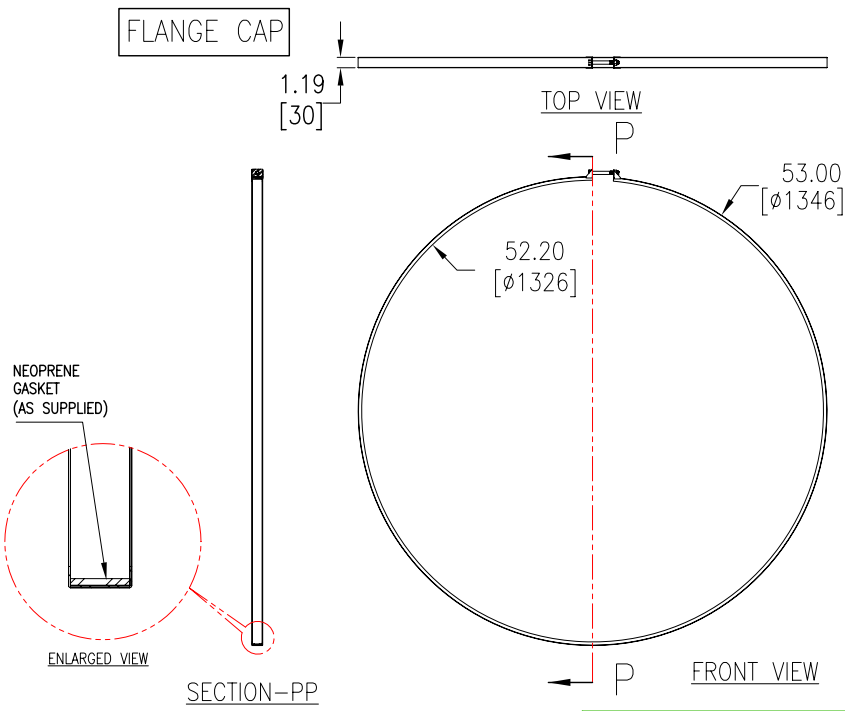
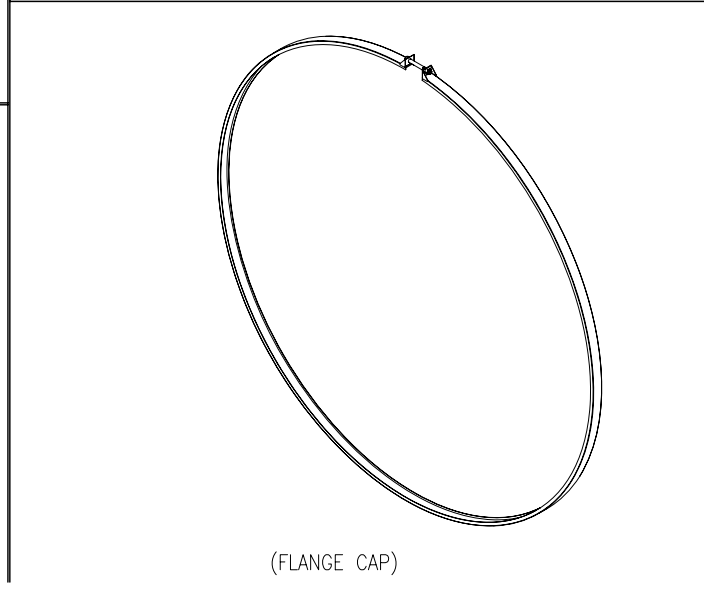
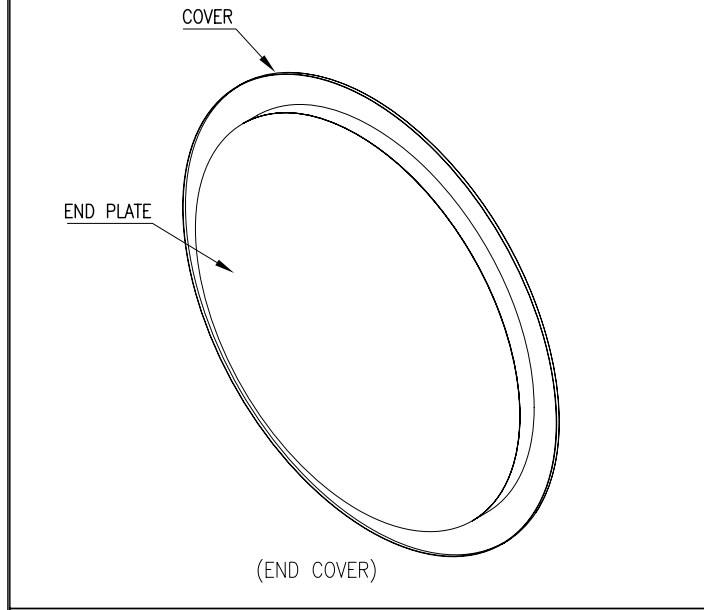
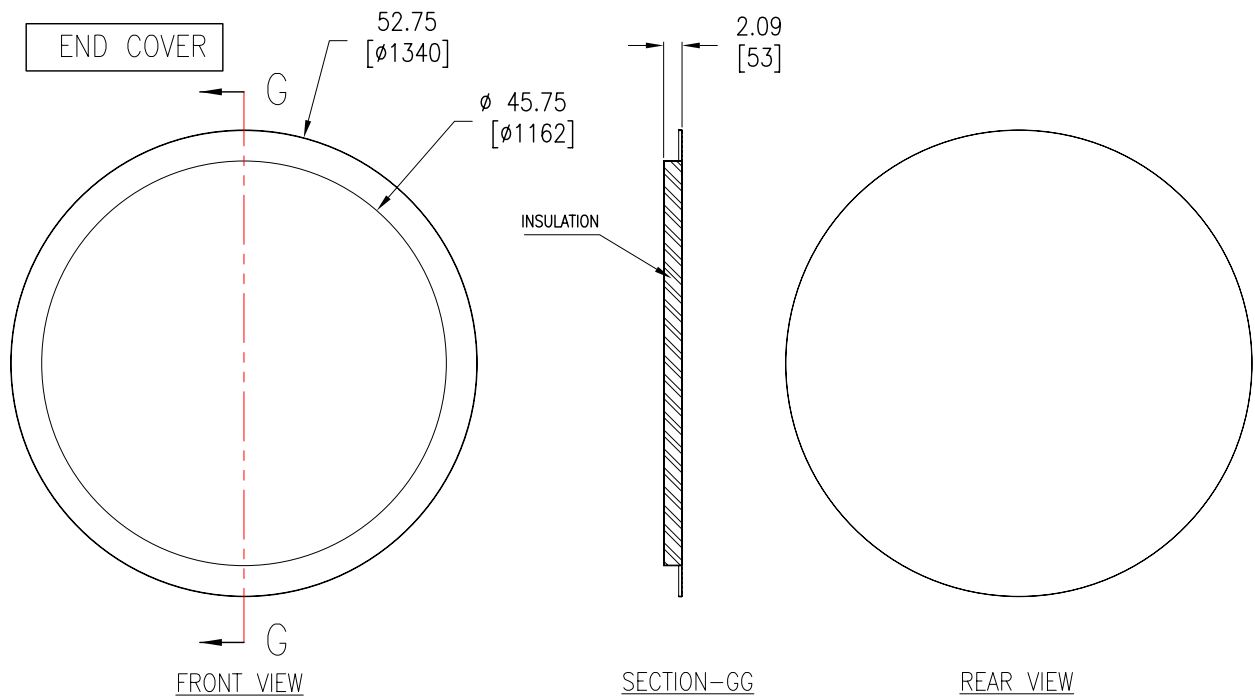
1. INSTALLATION SHALL COMPLY WITH ALL APPLICABLE NATIONAL, STATE AND LOCAL CODES.
2. PLEASE REFER TO PRODUCT MANUALS PRIOR TO INSTALLATION AND SITE PREPARATION WORK FOR FURTHER DETAILS.
3. ALL DIMENSIONS ARE IN INCHES [MILLIMETERS].
4. WEIGHT OF THE UNIT IS 7.5 LBS [3.4 kg]

THIS DRAWING AND SPECIFICATIONS HEREIN ARE THE PROPERTY OF SCHNEIDER ELECTRIC AND SHALL NOT BE COPIED, REPRODUCED OR USED IN WHOLE OR IN PART, AS THE BASIS FOR THE MANUFACTURE OR SALE OF ITEMS WITHOUT WRITTEN PERMISSION FROM SCHNEIDER ELECTRIC. THIS DRAWING IS BASED UPON LATEST AVAILABLE INFORMATION AND IS SUBJECT TO CHANGE WITHOUT NOTICE.



TITLE:
ECOBREEZE
10ft (3m) RETURN DUCT
PART DETAILS-1
PROJECT: SUBMITTAL DRAWINGS SHEET 4 OF 5

DWG NO:		REV.
ACECRTN10		0
DRAWN BY:	K.NAGENDRA	04-AUG-11
ENGINEER:	K.BAER/R.KUNAPULI	04-AUG-11
APPROVED BY:	C.CUMMISKEY/C.COSTEA	04-AUG-11
		THIRD ANGLE PROJECTION



SKU	QTY. INCLUDED
ACECMISC20	3
ACECMISC40	5

- NOTES:**
1. INSTALLATION SHALL COMPLY WITH ALL APPLICABLE NATIONAL, STATE AND LOCAL CODES.
 2. PLEASE REFER TO PRODUCT MANUALS PRIOR TO INSTALLATION AND SITE PREPARATION WORK FOR FURTHER DETAILS.
 3. ALL DIMENSIONS ARE IN INCHES [MILLIMETERS].
 4. WEIGHT OF THE UNIT
 END COVER – 65 LBS [29.5 kg]
 FLANGE CAP – 5 LBS [2.2 kg].
 5. END COVER AND FLANGE CAP ARE COMMON PARTS FOR SKU ACECMISC 20ft/40ft.

THIS DRAWING AND SPECIFICATIONS HEREIN ARE THE PROPERTY OF SCHNEIDER ELECTRIC AND SHALL NOT BE COPIED, REPRODUCED OR USED IN WHOLE OR IN PART, AS THE BASIS FOR THE MANUFACTURE OR SALE OF ITEMS WITHOUT WRITTEN PERMISSION FROM SCHNEIDER ELECTRIC. THIS DRAWING IS BASED UPON LATEST AVAILABLE INFORMATION AND IS SUBJECT TO CHANGE WITHOUT NOTICE.



TITLE:
 ECOBREEZE
 10ft (3m) RETURN DUCT
 PART DETAILS-2

PROJECT: SUBMITTAL DRAWINGS SHEET 5 OF 5

DWG NO:		REV.
ACECRTN10		0
DRAWN BY:	K.NAGENDRA	04-AUG-11
ENGINEER:	K.BAER/R.KUNAPULI	04-AUG-11
APPROVED BY:	C.CUMMISKEY/C.COSTEA	04-AUG-11
		THIRD ANGLE PROJECTION