

Liebert® GXT3, 5000-10000VA RT Model

AC Power for
Business-Critical Continuity™

Reliable On-Line Protection In A Compact Package



Flexibility:

- Rack/tower configuration in one form factor
- Rotatable Display
- Automatic frequency detection
- User replaceable hot-swappable internal batteries
- Additional runtime with additional battery cabinets.
- Liebert IntelliSlot™ communications port
- Multiple output possibilities (hardwired and receptacles)
- Includes Windows-based configuration program
- Built-in USB communications for use with Liebert MultiLink™ Automated Shutdown Software
- Built-in closure signals
- Emergency Power Off (EPO)
- Paralleable up to 3 units

Higher Availability:

- Wider input voltage window minimizes battery use
- Internal automatic and manual bypass
- Self-diagnostics

Lowest Total Cost Of Ownership:

- Standard two-year replacement warranty
- Uses minimum rack space
- Shields batteries from heat generating electronic components
- Battery cutoff voltage to prevent from overdischarge of batteries

Liebert GXT3 UPS meets the need for higher power capacities in small spaces. This true on-line double conversion UPS system is available in 5kVA-10kVA models, and features integrated maintenance bypass, as well as optional extended battery runtime.

Designed for use in either rack or tower configurations, all units offer the smallest available solutions for these power capacities - the 5 & 6kVA model in 5U size, or the 10kVA in a 6U package

Communications For Power Monitoring And Control

Liebert GXT3 UPS offers a variety of communications options to provide the monitoring and control capabilities demanded by today's network computing systems. Operation can be monitored using:

- Liebert IntelliSlot Web Card providing SNMP and web-based monitoring and control of your UPS.
- Liebert MultiLink™ Automated System Shutdown Software
- Liebert Nform™ Monitoring System
- Third-Party Monitoring Systems

Ideally suited for Mission-Critical Applications such as:

- LAN & WAN Servers
- Network Equipment
- IP Telephony Deployments
- Office Telecommunications systems
- SDN & frame relay applications
- Test and Diagnostic Equipment
- Micro Processor-controlled Equipment
- Banks
- Up to 0.9 Power Factor

Up to 0.9 PF
More Power
Available!

Liebert GXT3 5kVA & 6kVA



Liebert GXT3 10kVA


EMERSON
Network Power

Liebert® GXT3, 5000-10000VA RT Model

Specifications

Model Number	GXT3-5000RT230	GXT3-6000RT230	GXT3-10000RT230
Power Rating	5000VA/4000W	6000VA/4800W	10000VA/9000W
Dimensions, W x D x H - mm			
Unit / Shipping	574 x 430 x 217 / 745 x 530 x 516		581 x 430 x 261 / 717 x 515 x 570
Weight - kg			
Unit / Shipping	60 / 71		70 / 92
Input AC Parameters			
Voltage Range Without Battery Operation	220/230/240VAC (May be modified using included configuration program)		
Frequency Range	40 - 70Hz		
Input Socket	Hardwired input on PD2-CE6HDWRDMBS standard power distribution box		Hardwired input on PD2-CE10HDWRDMBS standard power distribution box
Output Sockets	6 x IEC C13 + 2 x IEC C19 + hardwired on PD2-CE6HDWRDMBS standard power distribution box		4 x IEC C13 + 4 x IEC C19 + hardwired on PD2-CE10HDWRDMBS standard power distribution box
Operating Voltage Range w/o Battery Operation	176-280VAC		
Waveform	Sinewave		
Battery Parameters			
Type	Valve-regulated, non-spillable, lead acid		
Quantity x Voltage x Rating	20 x 12V x 5AH		20 x 12V x 9AH
Recharge Time	3 hr. to 90% capacity after full discharge into 100% load		
Environmental			
Operating	0°C to +40°C		
Storage Temperature	-15°C to +50°C		
Relative Humidity	0%RH to 95%RH, non-condensing		
Operating Altitude	Up to 1000m at 30°C		
Audible Noise	<55 dBA, at 1 meter from the rear <50 dBA, at 1 meter from the front or sides		
Agency			
Safety	IEC62040-1:2008 version		
EMI/EMC/C-Tick EMC	IEC/EN/AS 62040-2 2nd Ed (Cat 2 – Table 6)		
ESD	EN61000-4-2, Level 4, Criteria A		
Radiated Susceptibility	EN61000-4-3, Level 3, Criteria A		
Electrical Fast Transient	EN61000-4-4, Level 4, Criteria A		
Surge Immunity	EN61000-4-5, Level 3, Criteria A		
Transportation	ISTA Procedure 1A		
Compliance	CE, RoHS		

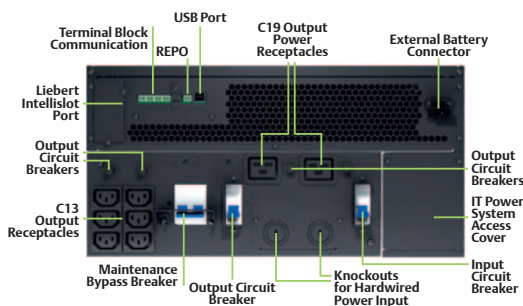
Liebert® GXT3 Battery Cabinet Specifications

Model Number	GXT3-240VBATTCE	GXT3-240RTVBATT
Used w/UPS Model	GXT3-5000RT230 GXT3-6000RT230	GXT3-10000RT230
Dimensions, W x D x H - mm		
Unit / Shipping	574 X 430 X 130 / 745 X 530 X 407	
Weight - kg		
Unit / Shipping	43 / 54	
Batteries		
Type	Valve-regulated, non-spillable, lead acid	
Quantity x Voltage x Rating	1 x 20 x 12V	
Environmental		
Operating / Storage Temperature, °C	0°C to 40°C / -15°C to +50°C	
Relative Humidity	0% to 95%, non-condensing	
Maximum Operating Altitude	Up to 1000m at 40°C	
Agency		
Safety / Emissions	IEC62040-1:2008 version	
Transportation	ISTA Procedure 1A	

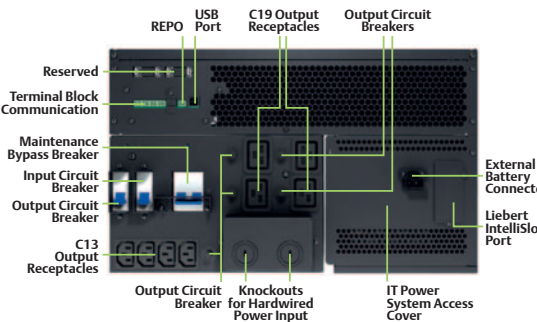
Battery Runtime Chart (Runtimes are in minutes, assuming fully charged batteries at 25°C)

Number of batteries	Model	10%	20%	30%	40%	50%	60%	70%	80%	90%	100%	100% load, W
Internal Battery	GXT3-5000RT230	95	53.5	42.5	27.5	21.5	17	13	11.5	9.5	8	4000
	GXT3-6000RT230	82	46.5	33.5	22.5	17	13	11	9	7	6	4800
	GXT3-10000RT230	66	32	22	14.5	11	8	6	4.5	3.8	3	9000
Internal Battery + 1 External Cabinet	GXT3-5000RT230	183	108.5	85.5	62.5	50.5	42.5	35	27.5	24	21.5	4000
	GXT3-6000RT230	152	90.5	73	52.5	42.5	33.5	26.5	23	18	17	4800
	GXT3-10000RT230	131.5	76.5	53	40	27	22	17.5	14.5	12.8	11	9000
Internal Battery + 2 External Battery Cabinets	GXT3-5000RT230	264.5	157	123.5	95	78	65.5	53	48.7	42.5	37.5	4000
	GXT3-6000RT230	220	131	104.5	81	65.5	52.5	46	39.5	34	27.5	4800
	GXT3-10000RT230	192	113	87.5	63.5	50	40	31	25.3	22	18.5	9000
Internal Battery + 3 External Battery Cabinets	GXT3-5000RT230	352.5	210	152	123.5	99.5	85.5	75.5	65.5	54.5	50	4000
	GXT3-6000RT230	293.5	174.5	133	104.5	85.5	73	61	52.5	47	42.5	4800
	GXT3-10000RT230	256.5	148.5	114	87.5	70	53	47	40	33.5	27	9000
Internal Battery + 4 External Battery Cabinets	GXT3-5000RT230	441	252	190	142.5	123.5	104.5	90	81	73	65.5	4000
	GXT3-6000RT230	367.5	210	161.5	128	104.5	87.5	78	68.5	59	52	4800
	GXT3-10000RT230	321	183	142.5	109	87.5	73	60	50.6	45.5	40	9000

Liebert GXT3, 5000 & 6000VA



Liebert GXT3, 10000VA



Locations

Emerson Network Power - Headquarters EMEA

Via Leonardo Da Vinci 16/18
Zona Industriale Tognana
35028 Piove di Sacco (PD) Italy
Tel: +39 049 9719 111
Fax: +39 049 5841 257

marketing.emea@emersonnetworkpower.com

Emerson Network Power - Service EMEA

Via Leonardo Da Vinci 16/18
Zona Industriale Tognana
35028 Piove di Sacco (PD) Italy
Tel: +39 049 9719 111
Fax: +39 049 9719 045

service.liebert.emea@emerson.com

United States

1050 Dearborn Drive
P.O. Box 29186
Columbus, OH 43229
Tel: +1 614 8880246

Asia

7/F, Dah Sing Financial Centre
108 Gloucester Road, Wanchai
Hong Kong
Tel: +852 2572220
Fax: +852 28029250



Tech Support

Always On! Our Commitment to your daily Business, provided by our World Wide multi language Tech Support.

Toll-free **0080011554499**

Toll +**39 02 98250222**

liebert.upstech@emerson.com

While every precaution has been taken to ensure the accuracy and completeness of this literature, Liebert Corporation assumes no responsibility and disclaims all liability for damages resulting from use of this information or for any errors or omissions. ©2010 Liebert Corporation

All rights reserved throughout the world. Specifications subject to change without notice.

GXT3R-FLY-EN-1010-01

Emerson Network Power™

The global leader in enabling Business-Critical Continuity™.

- AC Power
- Connectivity
- DC Power
- Embedded Computing
- Embedded Power
- Infrastructure Management & Monitoring
- Outside Plant
- Power Switching & Controls
- Precision Cooling
- Racks & Integrated Cabinets
- Services
- Surge Protection

Emerson Network Power.com

Emerson, Business-Critical Continuity™ and Emerson Network Power are trademarks of Emerson Electric Co. or one of its affiliated companies. ©2010 Emerson Electric Co.