



SSG5 AND SSG20 SECURE SERVICES GATEWAYS

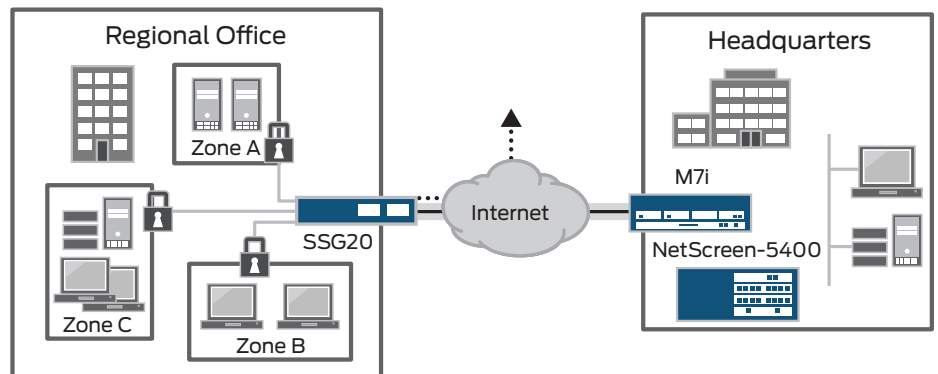
Product Overview

The Juniper Networks SSG5 and SSG20 Secure Services Gateways are purpose-built security appliances that deliver a perfect blend of performance, security, routing and LAN/WAN connectivity for small branch offices, fixed telecommuters and small standalone business deployments. Traffic flowing in and out of the branch office or business is protected from worms, spyware, trojans, and malware by a complete set of Unified Threat Management security features that include stateful firewall, IPsec VPN, intrusion prevention system (IPS), antivirus (includes antispayware, anti-adware, antiphishing), antispam and Web filtering.

Product Description

The Juniper Networks® SSG5 and SSG20 Secure Services Gateways are high-performance security platforms for small branch office and standalone businesses that want to stop internal and external attacks, prevent unauthorized access and achieve regulatory compliance. Both the SSG5 and SSG20 deliver 160 Mbps of stateful firewall traffic and 40 Mbps of IPsec VPN traffic.

Security: Protection against worms, viruses, trojans, spam, and emerging malware is delivered by proven unified threat management (UTM) security features that are backed by best-in-class partners. To address internal security requirements and facilitate regulatory compliance, the SSG5 and SSG20 both support an advanced set of network protection features such as security zones, virtual routers and VLANs that allow administrators to divide the network into distinct secure domains, each with its own unique security policy. Policies protecting each security zone can include access control rules and inspection by any of the supported UTM security features.



The SSG20 deployed at a branch office for secure Internet connectivity and site-to-site VPN to corporate headquarters. Internal wired and wireless resources are protected with unique security policies applied to each security zone.

Connectivity and Routing: The SSG5 has seven on-board 10/100 interfaces with optional fixed WAN ports. The SSG20 has five 10/100 interfaces with two I/O expansion slots for additional WAN connectivity. The broad array of I/O options coupled with WAN protocol and encapsulation support in the routing engine make both the SSG5 and the SSG20 a solution that can easily be deployed as a traditional branch office router or as a consolidated security and routing device to reduce CapEx and OpEx. Both the SSG5 and SSG20 support 802.11 a/b/g as a factory configured option supported by a wide array of wireless specific security features.

Access Control Enforcement: The SSG5 and SSG20 can act as enforcement points in a Juniper Networks Unified Access Control deployment with the simple addition of the IC Series UAC appliance. The IC Series functions as a central policy management engine, interacting with the SSG5 or SSG20 to augment or replace the firewall-based access control with a solution that grants/denies access based on more granular criteria that include endpoint state and user identity in order to accommodate the dramatic shifts in attack landscape and user characteristics.

World Class Support: From simple lab testing to major network implementations, Juniper Networks Professional Services will collaborate with your team to identify goals.

Features and Benefits

FEATURE	FEATURE DESCRIPTION	BENEFIT
High performance	Purpose-built platform is assembled from custom-built hardware, powerful processing and a security-specific operating system.	Delivers performance headroom required to protect against internal and external attacks now and into the future.
Best-in-class UTM security features	UTM security features (antivirus, antispam, Web filtering, IPS) stop all manner of viruses and malware before they damage the network.	Ensures that the network is protected against all manner of attacks.
Integrated antivirus	Annually licensed antivirus engine is based on Kaspersky Lab engine.	Stops viruses, spyware, adware and other malware.
Integrated antispam	Annually licensed anti-spam offering is based on Sophos technology.	Blocks unwanted email from known spammers and phishers.
Integrated Web filtering	Annually licensed Web filtering solution is based on Websense SurfControl technology.	Controls/blocks access to malicious Web sites.
Integrated IPS (Deep Inspection)	Annually licensed IPS engine.	Prevents application-level attacks from flooding the network.
Fixed Interfaces	Seven fixed 10/100 interfaces on the SSG5, and five fixed 10/100 interfaces on the SSG20. The SSG5 is factory configured with either RS232 Serial/AUX or ISDN BRI S/T or V.92 fixed WAN backup. Both models include one console port and one auxiliary port.	Provides high-speed LAN connectivity, redundant WAN connectivity and flexible management.
Network segmentation	Security zones, virtual LANs and virtual routers allow administrators to deploy security policies to isolate guests, wireless networks and regional servers or databases.	Facilitates deployment of internal security to prevent unauthorized access, contain attacks and assist in achieving regulatory compliance.
Interface modularity	Two interface expansion slots (SSG20 only) supporting optional ADSL 2+, T1, E1, ISDN BRI S/T, Serial, SFP and v.92 Mini physical interface modules (Mini-PIMs).*	Delivers combination of LAN and WAN connectivity on top of unmatched security to reduce costs and extend investment protection.
Robust routing engine	Proven routing engine supports OSPF, BGP, and RIP v1/2.	Enables the deployment of a consolidated security and routing device, thereby lowering operational and capital expenditures.
802.11 a/b/g wireless-specific security features	Wireless-specific privacy and authentication features augment the UTM security capabilities to protect wireless traffic.	Provides additional device consolidation opportunities (WLAN access point, security, routing) for small office environment.

*Serial and SFP Mini-PIMs only supported in ScreenOS 6.0 or greater releases

Features and Benefits (continued)

FEATURE	FEATURE DESCRIPTION	BENEFIT
Juniper Networks Unified Access Control enforcement point	Interacts with the centralized policy management engine (IC Series) to enforce session-specific access control policies using criteria such as user identity, device security state and network location.	Improves security posture in a cost-effective manner by leveraging existing customer network infrastructure components and best-in-class technology.
Management flexibility	Use any one of three mechanisms, command line interface (CLI), WebUI or Juniper Networks Network and Security Manager (NSM) to securely deploy, monitor and manage security policies.	Enables management access from any location, eliminating onsite visits thereby improving response time and reducing operational costs.
World-class professional services	From simple lab testing to major network implementations, Juniper Networks Professional Services will collaborate with your team to identify goals, define the deployment process, create or validate the network design and manage the deployment.	Transforms the network infrastructure to ensure that it is secure, flexible, scalable and reliable.

Product Options

OPTION	OPTION DESCRIPTION	APPLICABLE PRODUCTS
DRAM	The SSG5 and SSG20 are available with either 128 MB or 256 MB of DRAM.	SSG5 and SSG20
Unified Threat Management/Content Security (high memory option required)	The SSG5 and SSG20 can be configured with any combination of the following best-in-class UTM and content security functionality: antivirus (includes anti-spymware, antiphishing), IPS (Deep Inspection), Web filtering and/or antispam.	High memory SSG5 or SSG20 only
I/O options	Two interface expansion slots supporting optional ADSL 2+, T1, E1, ISDN BRI S/T, Serial, SFP and v.92 Mini physical interface modules (Mini-PIMs).	SSG20 only
802.11 a/b/g connectivity	The SSG5 and SSG20 can be factory configured for 802.11 a/b/g wireless LAN connectivity.	SSG5 and SSG20
Extended license	Key capacities can be increased (sessions, VPN tunnels, VLANs) and stateful high availability (HA) support for firewall and VPN can be added.	SSG5 and SSG20



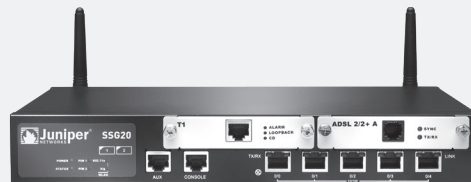
SSG5



SSG5 WIRELESS



SSG20



SSG20 WIRELESS

Specifications⁽¹⁾

	SSG5 BASE/EXTENDED	SSG20 BASE/EXTENDED
Maximum Performance and Capacity⁽²⁾		
ScreenOS® version tested	ScreenOS 6.2	ScreenOS 6.2
Firewall performance (Large packets)	160 Mbps	160 Mbps
Firewall performance (IMIX) ⁽³⁾	90 Mbps	90 Mbps
Firewall packets per second (64 byte)	30,000 PPS	30,000 PPS
Advanced Encryption Standard (AES) 256+SHA-1 VPN performance	40 Mbps	40 Mbps
3DES encryption +SHA-1 VPN performance	40 Mbps	40 Mbps
Maximum concurrent sessions	8,000/16,000	8,000/16,000
New sessions/second	2,800	2,800
Maximum security policies	200	200
Maximum users supported	Unrestricted	Unrestricted
Network Connectivity		
Fixed I/O	7x10/100	5x10/100
Mini-Physical Interface Module (Mini-PIM) slots	0	2
WAN interface options	Factory configured: RS232 Serial AUX or ISDN BRI S/T or V.92	Mini-PIMs: 1xADSL 2+, 1xT1, 1xE1, V.92, ISDN BRI S/T, 1xSFP, 1xSerial
Firewall		
Network attack detection	Yes	Yes
DoS and DDoS protection	Yes	Yes
TCP reassembly for fragmented packet protection	Yes	Yes
Brute force attack mitigation	Yes	Yes
SYN cookie protection	Yes	Yes
Zone-based IP spoofing	Yes	Yes
Malformed packet protection	Yes	Yes
Unified Threat Management⁽⁴⁾		
IPS (Deep Inspection firewall)	Yes	Yes
Protocol anomaly detection	Yes	Yes
Stateful protocol signatures	Yes	Yes
IPS/DI attack pattern obfuscation	Yes	Yes
Antivirus	Yes	Yes
Instant message AV	Yes	Yes
Signature database	200,000+	200,000+
Protocols scanned	POP3, HTTP, SMTP, IMAP, FTP, IM	POP3, HTTP, SMTP, IMAP, FTP, IM
Antispyware	Yes	Yes
Anti-adware	Yes	Yes
Anti-keylogger	Yes	Yes
Anti-spam	Yes	Yes
Integrated URL filtering	Yes	Yes
External URL filtering ⁽⁵⁾	Yes	Yes
VoIP Security		
H.323. Application-level gateway (ALG)	Yes	Yes
SIP ALG	Yes	Yes
MGCP ALG	Yes	Yes
SCCP ALG	Yes	Yes
Network Address Translation (NAT) for VoIP protocols	Yes	Yes

Specifications (continued)

	SSG5 BASE/EXTENDED	SSG20 BASE/EXTENDED
IPsec VPN		
Auto-Connect VPN	Yes	Yes
Concurrent VPN tunnels	25/40	25/40
Tunnel interfaces	10	10
DES encryption (56-bit), 3DES encryption (168-bit) and Advanced Encryption Standard (AES) (256-bit)	Yes	Yes
MD-5 and SHA-1 authentication	Yes	Yes
Manual key, Internet Key Exchange (IKE), IKEv2 with EAP public key infrastructure (PKI) (X.509)	Yes	Yes
Perfect forward secrecy (DH Groups)	1,2,5	1,2,5
Prevent replay attack	Yes	Yes
Remote access VPN	Yes	Yes
Layer2 Tunneling Protocol (L2TP) within IPsec	Yes	Yes
IPsec Network Address Translation (NAT) traversal	Yes	Yes
Redundant VPN gateways	Yes	Yes
User Authentication and Access Control		
Built-in (internal) database - user limit	100	100
Third-party user authentication	RADIUS, RSA SecureID, LDAP	RADIUS, RSA SecureID, LDAP
RADIUS Accounting	Yes	Yes
XAUTH VPN authentication	Yes	Yes
Web-based authentication	Yes	Yes
802.1X authentication	Yes	Yes
Unified Access Control (UAC) enforcement point	Yes	Yes
PKI Support		
PKI Certificate requests (PKCS 7 and PKCS 10)	Yes	Yes
Automated certificate enrollment (SCEP)	Yes	Yes
Online Certificate Status Protocol (OCSP)	Yes	Yes
Certificate Authorities supported	VeriSign, Entrust, Microsoft, RSA Keon, iPlanet (Netscape) Baltimore, DoD PKI	VeriSign, Entrust, Microsoft, RSA Keon, iPlanet (Netscape) Baltimore, DoD PKI
Self-signed certificates	Yes	Yes
Virtualization		
Maximum number of security zones	8	8
Maximum number of virtual routers	3/4	3/4
Maximum number of VLANs	10/50	10/50
Routing		
BGP instances	3/4	3/4
BGP peers	10/16	10/16
BGP routes	1,024	1,024
OSPF instances	3	3
OSPF routes	1,024	1,024
RIP v1/v2 instances	16	16
RIP v2 routes	1,024	1,024
Static routes	1,024	1,024
Source-based routing	Yes	Yes
Policy-based routing	Yes	Yes
Equal-cost multipath (ECMP)	Yes	Yes

Specifications (continued)

	SSG5 BASE/EXTENDED	SSG20 BASE/EXTENDED
Routing (continued)		
Multicast	Yes	Yes
Reverse Path Forwarding (RPF)	Yes	Yes
Internet Group Management Protocol (IGMP) (v1, v2)	Yes	Yes
IGMP Proxy	Yes	Yes
PIM single mode	Yes	Yes
PIM source-specific multicast	Yes	Yes
Multicast inside IPsec tunnel	Yes	Yes
ICMP Router Discovery Protocol (IRDP)	Yes	Yes
Encapsulations		
Point-to-Point Protocol (PPP)	Yes	Yes
Multilink Point-to-Point Protocol (MLPPP)	N/A	Yes
Frame Relay	Yes	Yes
Multilink Frame Relay (MLFR) (FRF 15, FRF 16)	Yes	Yes
HDLC	Yes	Yes
IPv6		
Dual stack IPv4/IPv6 firewall and VPN	Yes	Yes
IPv4 to/from IPv6 translations and encapsulations	Yes	Yes
Syn-Cookie and Syn-Proxy DoS Attack Detection	Yes	Yes
SIP, RTSP, Sun-RPC, and MS-RPC ALG's	Yes	Yes
RIPng	Yes	Yes
BGP	Yes	Yes
Transparent mode	Yes	Yes
NSRP	Yes	Yes
DHCPv6 Relay	Yes	Yes
Mode of Operation		
Layer 2 (transparent) mode ⁽⁶⁾	Yes	Yes
Layer 3 (route and/or NAT) mode	Yes	Yes
Address Translation		
Network Address Translation (NAT)	Yes	Yes
Port Address Translation (PAT)	Yes	Yes
Policy-based NAT/PAT (L2 and L3 mode)	Yes	Yes
Mapped IP (MIP) (L3 mode)	300	300
Virtual IP (VIP) (L3 mode)	4/5	4/5
MIP/VIP Grouping (L3 mode)	Yes	Yes
Dual untrust	Yes	Yes
Bridge groups*	Yes	Yes
IP Address Assignment		
Static	Yes	Yes
DHCP, PPPoE client	Yes	Yes
Internal DHCP server	Yes	Yes
DHCP relay	Yes	Yes
Traffic Management Quality of Service (QoS)		
Guaranteed bandwidth	Yes - per policy	Yes - per policy
Maximum bandwidth	Yes - per policy	Yes - per policy
Ingress traffic policing	Yes	Yes
Priority-bandwidth utilization	Yes	Yes
Differentiated Services stamping	Yes - per policy	Yes - per policy

*Bridge groups supported only on uPIMs in ScreenOS 6.0 and greater releases

Specifications (continued)

	SSG5 BASE/EXTENDED	SSG20 BASE/EXTENDED
High Availability (HA)⁽⁷⁾		
Active/Active - L3 mode	Yes	Yes
Active/Passive -Transparent & L3 mode	Yes	Yes
Configuration synchronization	Yes	Yes
Session synchronization for firewall and VPN	Yes	Yes
Session failover for routing change	Yes	Yes
VRRP	Yes	Yes
Device failure detection	Yes	Yes
Link failure detection	Yes	Yes
Authentication for new HA members	Yes	Yes
Encryption of HA traffic	Yes	Yes
System Management		
WebUI (HTTP and HTTPS)	Yes	Yes
Command line interface (console)	Yes	Yes
Command line interface (telnet)	Yes	Yes
Command line interface (SSH)	Yes v1.5 and v2.0 compatible	Yes v1.5 and v2.0 compatible
Network and Security Manager (NSM)	Yes	Yes
All management via VPN tunnel on any interface	Yes	Yes
Rapid deployment	Yes	Yes
Administration		
Local administrator database size	20	20
External administrator database support	RADIUS, RSA SecurID, LDAP	RADIUS, RSA SecureID, LDAP
Restricted administrative networks	6	6
Root Admin, Admin and Read Only user levels	Yes	Yes
Software upgrades	TFTP, WebUI, NSM, SCP, USB	TFTP, WebUI, NSM, SCP, USB
Configuration rollback	Yes	Yes
Logging/Monitoring		
Syslog (multiple servers)	Yes - up to 4 servers	Yes - up to 4 servers
Email (two addresses)	Yes	Yes
NetIQ WebTrends	Yes	Yes
SNMP (v2)	Yes	Yes
SNMP full custom MIB	Yes	Yes
Traceroute	Yes	Yes
VPN tunnel monitor	Yes	Yes
External Flash		
Additional log storage	USB 1.1	USB 1.1
Event logs and alarms	Yes	Yes
System configuration script	Yes	Yes
ScreenOS Software	Yes	Yes

	SSG5 BASE/EXTENDED	SSG20 BASE/EXTENDED
Dimensions and Power		
Dimensions (W x H x D)	8.8 x 1.6 x 5.6 in (22.2 x 4.1 x 14.3 cm)	11.6 x 1.8 x 7.4 in (29.5 x 4.5 x 18.7 cm)
Weight	2.1 lb (0.95 kg)	3.3 lb (1.5 kg)
Rack mountable	Yes	Yes
Power supply (AC)	100-240 VAC	100-240 VAC
Maximum thermal output	122.8 BTU/Hour	122.8 BTU/Hour
Certifications		
Safety certifications	CSA, CB	CSA, CB
EMC certifications	FCC class B, CE class B, A-Tick, VCCI class B	FCC class B, CE class B, A-Tick, VCCI class B
Mean Time Between Failures (MTBF)		
Non-wireless	40.5 years	35.8 years
Wireless	22.8 years	28.9 years
Security Certifications		
Common Criteria: EAL4	Yes	Yes
FIPS 140-2: Level 2	Yes	Yes
ICSA Firewall and VPN	Yes	Yes
Operating Environment		
Operating temperature	32° to 104° F (0° to 40° C)	32° to 104° F (0° to 40° C)
Non-operating temperature	-4° to 149° F (-20° to 65° C)	-4° to 149° F (-20° to 65° C)
Humidity	10% to 90% noncondensing	10% to 90% noncondensing
Wireless Radio Specifications (Wireless Models Only)		
Transmit power	Up to 200 mW	Up to 200 mW
Wireless standards supported	Dual Radio 802.11 a + 802.11b/g	Dual Radio 802.11 a + 802.11b/g
Site survey	Yes	Yes
Maximum configured SSIDs	16	16
Maximum active SSIDs	4	4
Atheros SuperG	Yes	Yes
Atheros eXtended Range (XR)	Yes	Yes
Wi-Fi Certified®	Yes	Yes
Wireless Security (Wireless Models Only)		
Wireless privacy	WPA, WPA2 (AES or TKIP), IPsec VPN, WEP	WPA, WPA2 (AES or TKIP), IPsec VPN, WEP
Wireless authentication	PSK, EAP-PEAP, EAP-TLS, EAP-TTLS over 802.1x	PSK, EAP-PEAP, EAP-TLS, EAP-TTLS over 802.1x
MAC access controls	Permit or Deny	Permit or Deny
Client isolation	Yes	Yes
Antenna Option (Wireless Models Only)		
Diversity antenna	Included	Included
Directional antenna	Optional	Optional
Omni-directional antenna	Optional	Optional

- (1) Some features and functionality only supported in releases greater than ScreenOS 5.4.
- (2) Performance, capacity and features listed are based upon systems running ScreenOS 6.2 and are the measured maximums under ideal testing conditions unless otherwise noted. Actual results may vary based on ScreenOS release and deployment. For a complete list of supported ScreenOS versions for SSG Series gateways, please visit the Juniper Customer Support Center (www.juniper.net/customers/support/) and click on ScreenOS Software Downloads
- (3) IMIX stands for Internet mix and is more demanding than a single packet size as it represents a traffic mix that is more typical of a customer's network. The IMIX traffic used is made up of 58.33% 64 byte packets + 33.33% 570 byte packets + 8.33% 1518 byte packets of UDP traffic.
- (4) UTM Security features (IPS/Deep Inspection, antivirus, antispam and Web filtering) are delivered by annual subscriptions purchased separately from Juniper Networks. Annual subscriptions provide signature updates and associated support. The high memory option is required for UTM Security features.
- (5) Redirect Web filtering sends traffic from the firewall to a secondary server. The redirect feature is free, however it does require the purchase of a separate Web filtering license from either Websense or SurfControl.
- (6) NAT, PAT, policy-based NAT, virtual IP, mapped IP, virtual systems, virtual routers, VLANs, OSPF, BGP, RIPv2, active/active HA and IP address assignment are not available in layer 2 transparent mode.
- (7) Active/passive and active/active HA requires the purchase of an Extended License. In addition to the HA features, an Extended License key increases a subset of the capacities as outlined below. Active/active HA is only supported in ScreenOS 6.0 or greater releases.

IPS (Deep Inspection firewall) Signature Packs

Signature packs provide the ability to tailor the attack protection to the specific deployment and/or attack type. The following signature packs are available for the SSG5 and SSG20:

SIGNATURE PACK	TARGET DEPLOYMENT	DEFENSE TYPE	TYPE OF ATTACK OBJECT
Base	Branch offices, small/medium businesses	Client/server and worm protection	Range of signatures and protocol anomalies
Client	Remote/branch offices	Perimeter defense, compliance for hosts (desktops, etc.)	Attacks in the server-to-client direction
Server	Small/medium businesses	Perimeter defense, compliance for server infrastructure	Attacks in the client-to-server direction
Worm mitigation	Remote/branch offices of large enterprises	Most comprehensive defense against worm attacks	Worms, trojans, backdoor attacks

Firewall Extended Licenses

EXTENDED LICENSE FEATURE	SSG20 AND SSG5
Sessions	Increases max from 8,000 to 16,000
VPN tunnels	Increases max from 25 to 40
VLANs	Increases max from 10 to 50
VoIP calls	Increases max from 64 to 96
High availability	Adds support for stateful active/active or active/passive with ScreenOS 6.0 and above

Juniper Networks Services and Support

Juniper Networks is the leader in performance-enabling services and support, which are designed to accelerate, extend, and optimize your high-performance network. Our services allow you to bring revenue-generating capabilities online faster so you can realize bigger productivity gains and faster rollouts of new business models and ventures. At the same time, Juniper Networks ensures operational excellence by optimizing your network to maintain required levels of performance, reliability, and availability. For more details, please visit www.juniper.net/us/en/products-services/.

Ordering Information

MODEL NUMBER	DESCRIPTION
SSG5	
SSG-5-SB	SSG5 with 128 MB Memory, RS232 Serial backup interface
SSG-5-SB-BT	SSG5 with 128 MB Memory, ISDN BRI S/T backup interface
SSG-5-SB-M	SSG5 with 128 MB Memory, v.92 backup interface
SSG-5-SB-W-xx	SSG5 with 128 MB Memory, RS232 Serial backup interface, 802.11a/b/g Wireless
SSG-5-SB-BTW-xx	SSG5 with 128 MB Memory, ISDN BRI S/T backup interface, 802.11a/b/g Wireless
SSG-5-SB-MW-xx	SSG5 with 128 MB Memory, v.92 backup interface, 802.11a/b/g Wireless
SSG-5-SH	SSG5 with 256 MB Memory, RS232 Serial backup interface
SSG-5-SH-BT	SSG5 with 256 MB Memory, ISDN BRI S/T backup interface
SSG-5-SH-M	SSG5 with 256 MB Memory, v.92 backup interface
SSG-5-SH-W-xx	SSG5 with 256 MB Memory, RS232 Serial backup interface, 802.11a/b/g Wireless
SSG-5-SH-BTW-xx	SSG5 with 256 MB Memory, ISDN BRI S/T backup interface, 802.11a/b/g Wireless
SSG-5-SH-MW-xx	SSG5 with 256 MB Memory, v.92 backup interface, 802.11a/b/g Wireless

SSG20

SSG-20-SB	SSG20 with 128 MB Memory, 2-port Mini-PIM slots
SSG-20-SB-W-xx	SSG20 with 128 MB Memory, 2-port Mini-PIM slots, 802.11a/b/g Wireless
SSG-20-SH	SSG20 with 256 MB Memory, 2-port Mini-PIM slots
SSG-20-SH-W-xx	SSG20 with 256 MB Memory, 2-port Mini-PIM slots, 802.11a/b/g Wireless

SSG20 I/O Options

JXM-1SERIAL-S	1-port Serial Mini Physical Interface Module*
JXM-1SFP-S	1-port SFP Mini Physical Interface Module**
JXM-1T1-S	1-port T1 Mini Physical Interface Module
JXM-1E1-S	1-port E1 Mini Physical Interface Module
JXM-1ADSL2-A-S	1-port ADSL2+ Annex A Mini Physical Interface Module
JXM-1ADSL2-B-S	1-port ADSL2+ Annex B Mini Physical Interface Module
JXM-1V92-S	1-port v.92 Mini Physical Interface Module
JXM-1BRI-ST-S	1-port ISDN S/T BRI Mini Physical Interface Module
JX-SFP-IGE-LX	Small Form Factor Pluggable 1000BASE-LX Gigabit Ethernet Optical Transceiver Module
JX-SFP-IGE-SX	Small Form Factor Pluggable 1000BASE-SX Gigabit Ethernet Optical Transceiver Module
JX-SFP-IGE-T	Small Form Factor Pluggable 1000BASE-T Gigabit Ethernet Copper Transceiver Module
JX-SFP-IFE-FX	Small Form Factor Pluggable 100BASE-FX Fast Ethernet Optical Transceiver Module

* The Serial Mini-PIM is only supported in ScreenOS 6.0 or greater releases

** The SFP Mini-PIM is only supported in ScreenOS 6.0 or greater releases

MODEL NUMBER	DESCRIPTION
SSG5 / SSG20 Accessories and Upgrades	
SSG-5-ELU	Extended license upgrade key for SSG5
SSG-20-ELU	Extended license upgrade key for SSG20
SSG-5-20-MEM-256	SSG5 and SSG20 256 MB memory upgrade module
SSG-5-RMK	SSG5 rack mount kit - holds 2 units
SSG-20-RMK	SSG20 rack mount kit
SSG-ANT	SSG Series wireless replacement antenna
SSG-ANT-DIR	SSG5 and SSG20 dual band directional antenna
SSG-ANT-OMNI	SSG5 and SSG20 dual band omni-directional antenna
SSG-CBL-ANT-10M	10 meters (30 feet) low loss cable for SSG-ANT-XXX

Unified Threat Management/Content Security (High Memory Option Required)

NS-K-AVS-SSG5 NS-K-AVS-SSG20	Antivirus (incl. antispayware, antiphishing)
NS-DI-SSG5 NS-DI-SSG20	IPS (Deep Inspection)
NS-WF-SSG5 NS-WF-SSG20	Web Filtering
NS-SPAM2-SSG5 NS-SPAM2-SSG20	Anti-spam
NS-RBO-CS-SSG5 NS-RBO-CS-SSG20	Remote Office Bundle (Includes AV, DI, WF)
NS-SMB2-CS-SSG5 NS-SMB2-CS-SSG20	Main Office Bundle (Includes AV, DI, WF, AS)

• Note: The appropriate power cord is included based upon the sales order "Ship To" destination.
 • Note: XX denotes region code for wireless devices. Not all countries are supported. Please see Wireless Country Compliance Matrix for certified countries.

• Note: For renewal of Content Security Subscriptions, add "-R" to above SKUs.

• Note: For 2 year Content Security Subscriptions, add "-2" to above SKUs.

• Note: For 3 year Content Security Subscriptions, add "-3" to above SKUs.

About Juniper Networks

Juniper Networks, Inc. is the leader in high-performance networking. Juniper offers a high-performance network infrastructure that creates a responsive and trusted environment for accelerating the deployment of services and applications over a single network. This fuels high-performance businesses. Additional information can be found at www.juniper.net.

Corporate and Sales Headquarters

Juniper Networks, Inc.
1194 North Mathilda Avenue
Sunnyvale, CA 94089 USA
Phone: 888.JUNIPER (888.586.4737)
or 408.745.2000
Fax: 408.745.2100
www.juniper.net

APAC Headquarters

Juniper Networks (Hong Kong)
26/F, Cityplaza One
1111 King's Road
Taikoo Shing, Hong Kong
Phone: 852.2332.3636
Fax: 852.2574.7803

EMEA Headquarters

Juniper Networks Ireland
Airside Business Park
Swords, County Dublin, Ireland
Phone: 35.31.8903.600
EMEA Sales: 00800.4586.4737
Fax: 35.31.8903.601

To purchase Juniper Networks solutions, please contact your Juniper Networks representative at 1-866-298-6428 or authorized reseller.

Copyright 2009 Juniper Networks, Inc. All rights reserved. Juniper Networks, the Juniper Networks logo, Junos, NetScreen, and ScreenOS are registered trademarks of Juniper Networks, Inc. in the United States and other countries. All other trademarks, service marks, registered marks, or registered service marks are the property of their respective owners. Juniper Networks assumes no responsibility for any inaccuracies in this document. Juniper Networks reserves the right to change, modify, transfer, or otherwise revise this publication without notice.