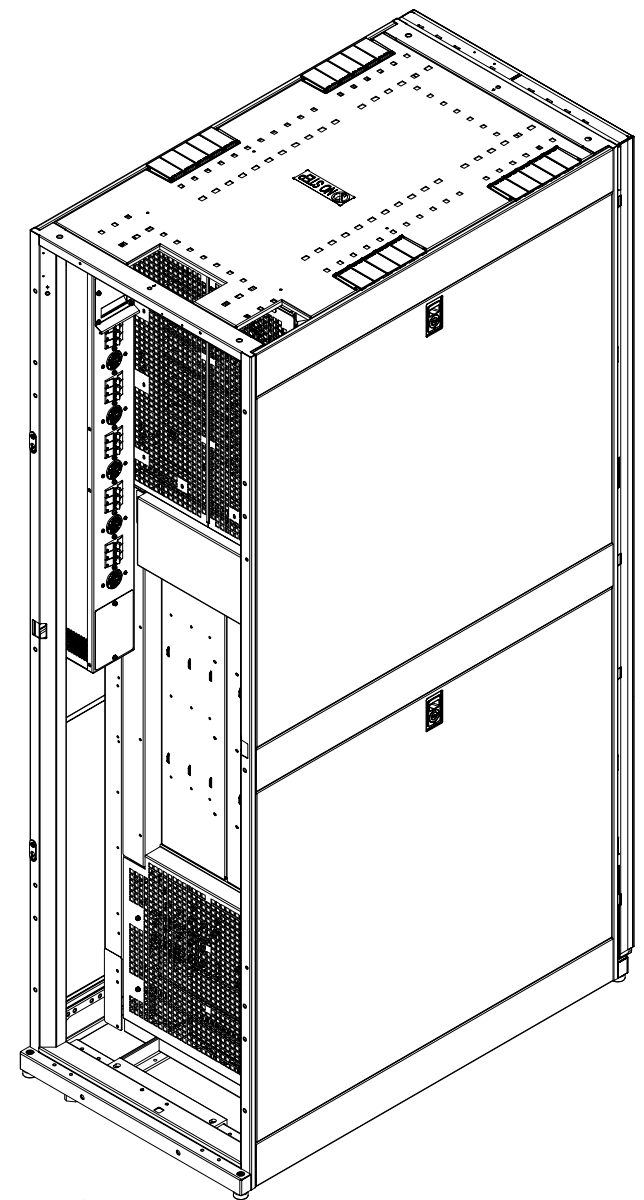


FRONT



REAR

ISOMETRIC VIEWS (WITHOUT FRONT AND REAR DOORS)

NOTES:

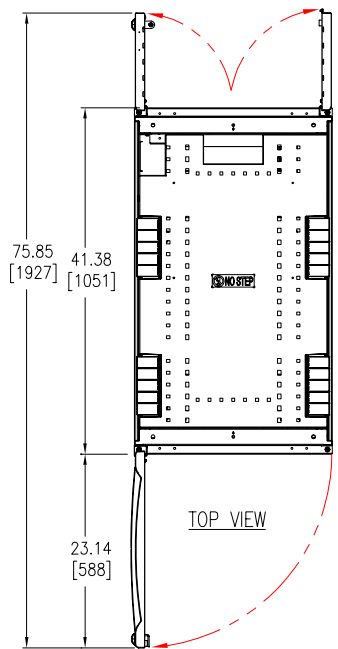
1. PLEASE REFER TO INSTALLATION MANUAL FOR DETAILS.
2. INSTALLATION MUST COMPLY WITH ALL APPLICABLE NATIONAL AND LOCAL CODES.

THIS DRAWING AND SPECIFICATIONS HEREIN ARE THE PROPERTY OF AMERICAN POWER CONVERSION AND SHALL NOT BE COPIED, REPRODUCED OR USED IN WHOLE OR IN PART, AS THE BASIS FOR THE MANUFACTURE OR SALE OF ITEMS WITHOUT WRITTEN PERMISSION FROM APC. THIS DRAWING IS BASED UPON LATEST AVAILABLE INFORMATION AND IS SUBJECT TO CHANGE WITHOUT NOTICE.

TITLE: Smart-UPS VT ISX  
 30kVA, 208V/120V, 208V, 3PH, W/ISO XFMR  
 W/5 BATTERY MODULES W/ PDU  
 ISOMETRIC VIEWS  
 PROJECT: SUBMITTAL DRAWINGS SHEET 1 OF 8

DWG NO:	SUVTRT30KF5B5S-MM1	REV.	—
DRAWN BY:	JAYAPRAKASH		07/20/06
CHECKED BY:	P.BONDE		08/09/06
ENGINEER:	J.RING / E.SILVA		08/09/06

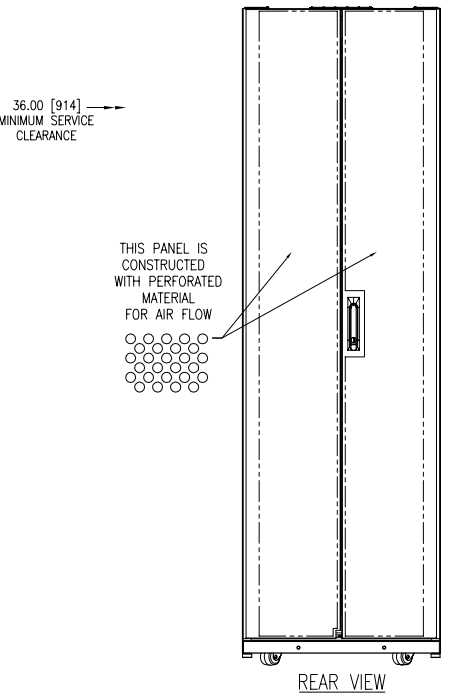
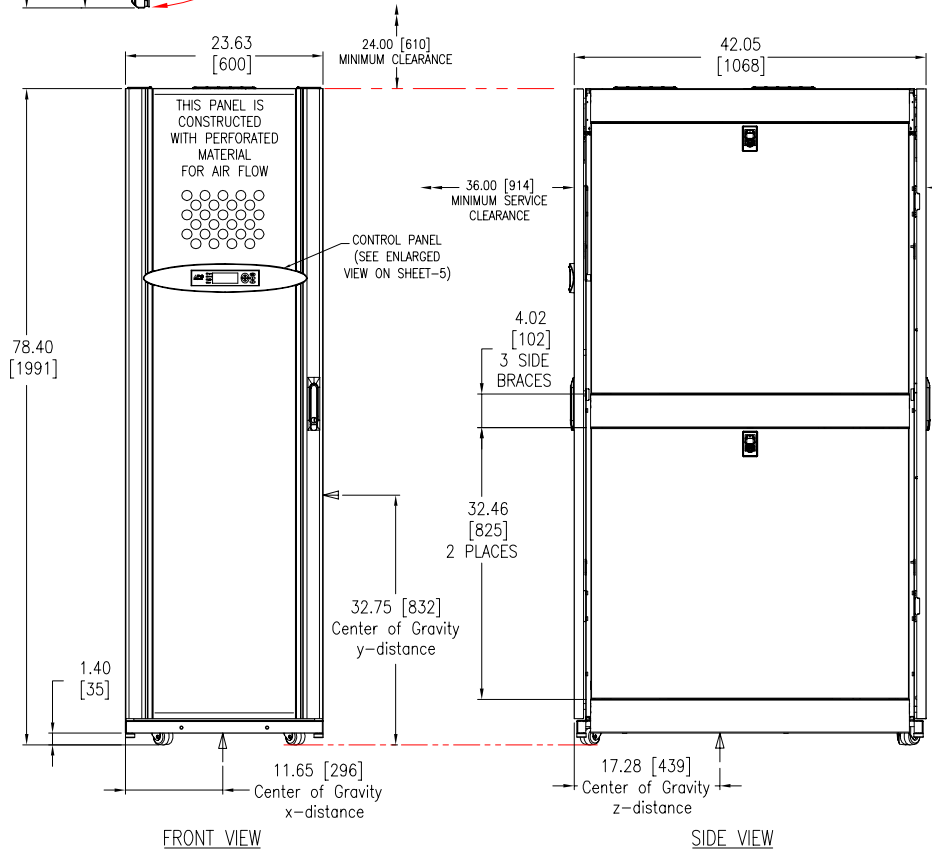




- NOTES:
- PLEASE REFER TO INSTALLATION MANUAL FOR DETAILS.
  - ALL DIMENSIONS ARE IN INCHES [MILLIMETERS].
  - CABLE ENTRY IS BOTTOM OR TOP OF UNIT.
  - FRONT AND REAR SERVICE CLEARANCE, TOP COOLING CLEARANCE REQUIRED.
  - WEIGHT OF UNIT IS 2290 LBS [1040.91 kg].
  - OPTION REPRESENTED BY THIS DRAWING.
  - RUNTIME CAN BE EXTENDED WITH ADDITIONAL BATTERY MODULES AND BATTERY CABINETS (SEE CHART).
  - INSTALLATION MUST COMPLY WITH ALL APPLICABLE NATIONAL AND LOCAL CODES.

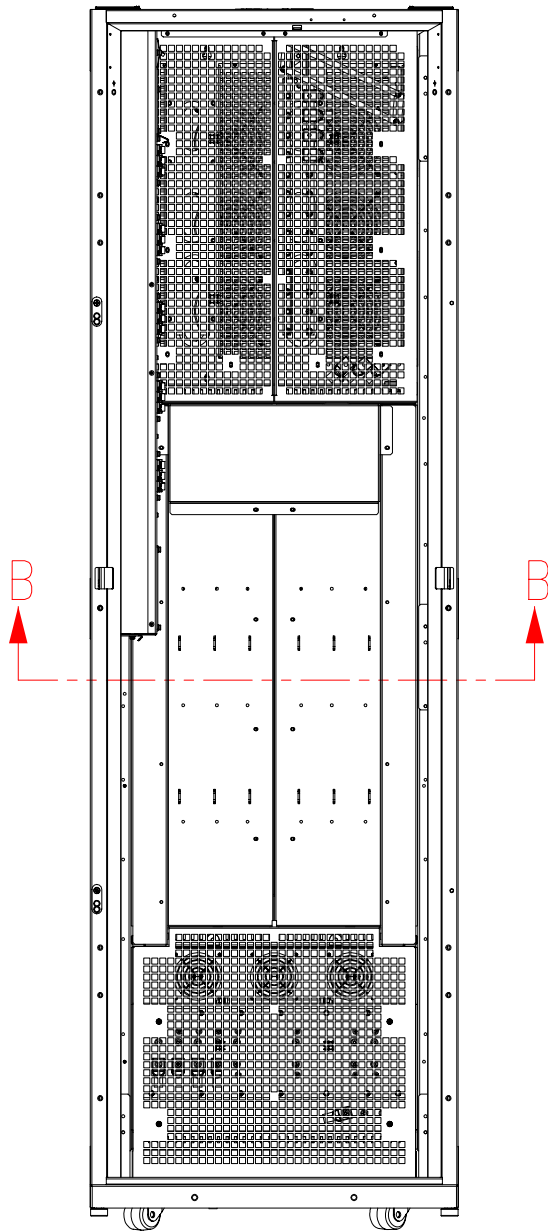
RUN-TIME CHART AT 0.8 PF

Battery position	Number of Battery Modules	Run-Time in Minutes
SUVTRT30KF5B5S	5	14
SUVTRT30KF5B5S+(1)SUVTBXR2B6S	7	23
SUVTRT30KF5B5S+(1)SUVTBXR2B6S+(1)SYBT4	8	27
SUVTRT30KF5B5S+(1)SUVTBXR2B6S+(2)SYBT4	9	32
SUVTRT30KF5B5S+(1)SUVTBXR2B6S+(3)SYBT4	10	37
SUVTRT30KF5B5S+(1)SUVTBXR6B6S	11	42
SUVTRT30KF5B5S+(2)SUVTBXR6B6S	17	73
SUVTRT30KF5B5S+(3)SUVTBXR6B6S	23	106
SUVTRT30KF5B5S+(4)SUVTBXR6B6S	29	142

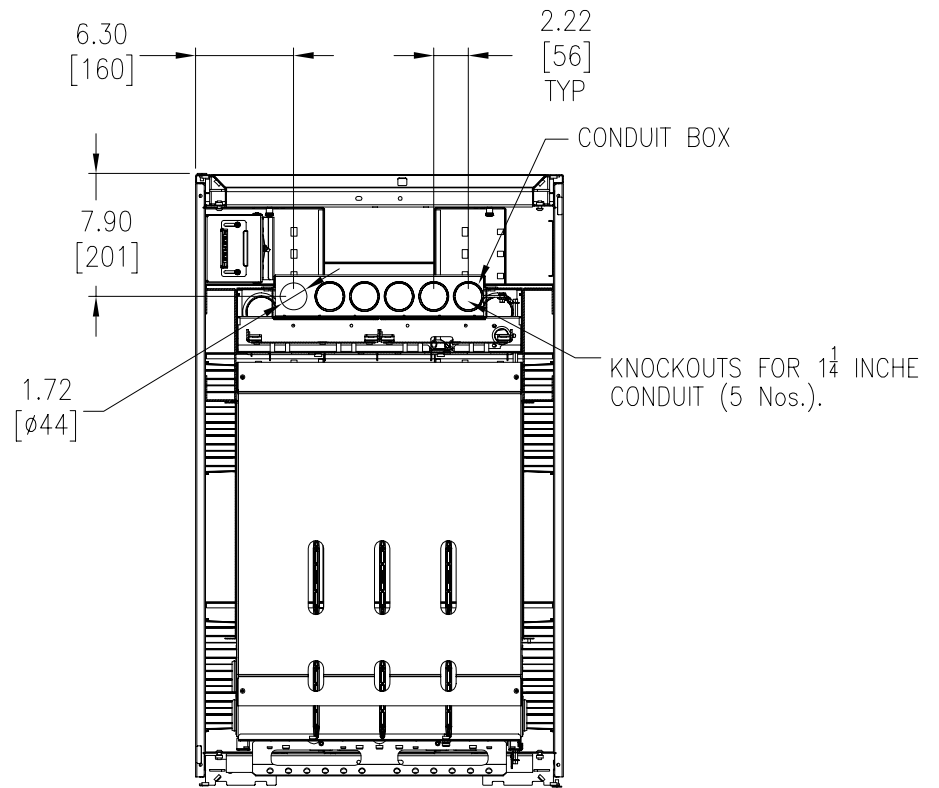


THIS DRAWING AND SPECIFICATIONS HEREIN ARE THE PROPERTY OF AMERICAN POWER CONVERSION AND SHALL NOT BE COPIED, REPRODUCED OR USED IN WHOLE OR IN PART, AS THE BASIS FOR THE MANUFACTURE OR SALE OF ITEMS WITHOUT WRITTEN PERMISSION FROM APC. THIS DRAWING IS BASED UPON LATEST AVAILABLE INFORMATION AND IS SUBJECT TO CHANGE WITHOUT NOTICE.

TITLE: Smart-UPS VT ISX 30kVA, 208V/120V, 208V, 3PH, W/ISO XFMR W/5 BATTERY MODULES W/ PDU MAIN MECHANICAL	DWG NO: SUVTRT30KF5B5S-MM2	REV: -
PROJECT: SUBMITTAL DRAWINGS SHEET 2 OF 8	DRAWN BY: JAYAPRAKASH	07/20/06
	CHECKED BY: P.BONDE	08/09/06
	ENGINEER: J.RING / E.SILVA	08/09/06



REAR VIEW (WITHOUT DOORS)



FRONT

SECTION-BB

NOTES:

1. PLEASE REFER TO APC PRODUCT MANUAL.
2. ALL DIMENSIONS ARE IN INCHES [MILLIMETERS].
3. INSTALLATION MUST COMPLY WITH ALL APPLICABLE NATIONAL AND LOCAL CODES.

THIS DRAWING AND SPECIFICATIONS HEREIN ARE THE PROPERTY OF AMERICAN POWER CONVERSION AND SHALL NOT BE COPIED, REPRODUCED OR USED IN WHOLE OR IN PART, AS THE BASIS FOR THE MANUFACTURE OR SALE OF ITEMS WITHOUT WRITTEN PERMISSION FROM APC. THIS DRAWING IS BASED UPON LATEST AVAILABLE INFORMATION AND IS SUBJECT TO CHANGE WITHOUT NOTICE.

TITLE: Smart-UPS VT ISX  
30kVA, 208V/120V, 208V, 3PH, W/ISO XFMR  
W/5 BATTERY MODULES W/ PDU  
REAR AND SECTION VIEWS

PROJECT: SUBMITTAL DRAWINGS SHEET 3 OF 8

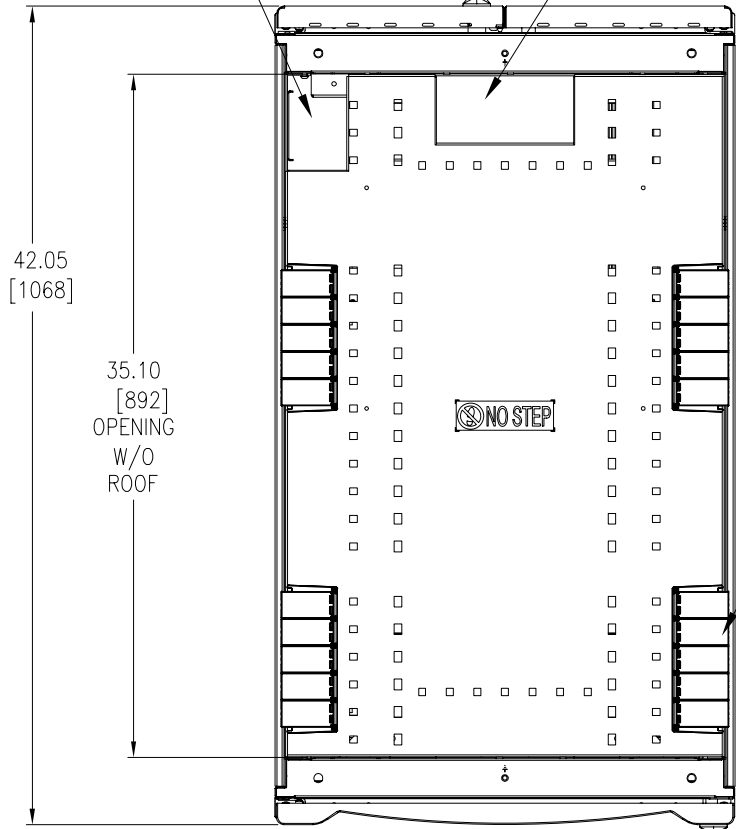
DWG NO: SUVTRT30KF5B5S-MM3 REV: -

DRAWN BY:	JAYAPRAKASH	07/20/06
CHECKED BY:	P.BONDE	08/09/06
ENGINEER:	J.RING / E.SILVA	08/09/06



4.98 [127] X 3.13 [80]  
CUTOUTS FOR CABLES

7.18 [182] X 3.52 [90]  
CUTOUTS FOR CABLES



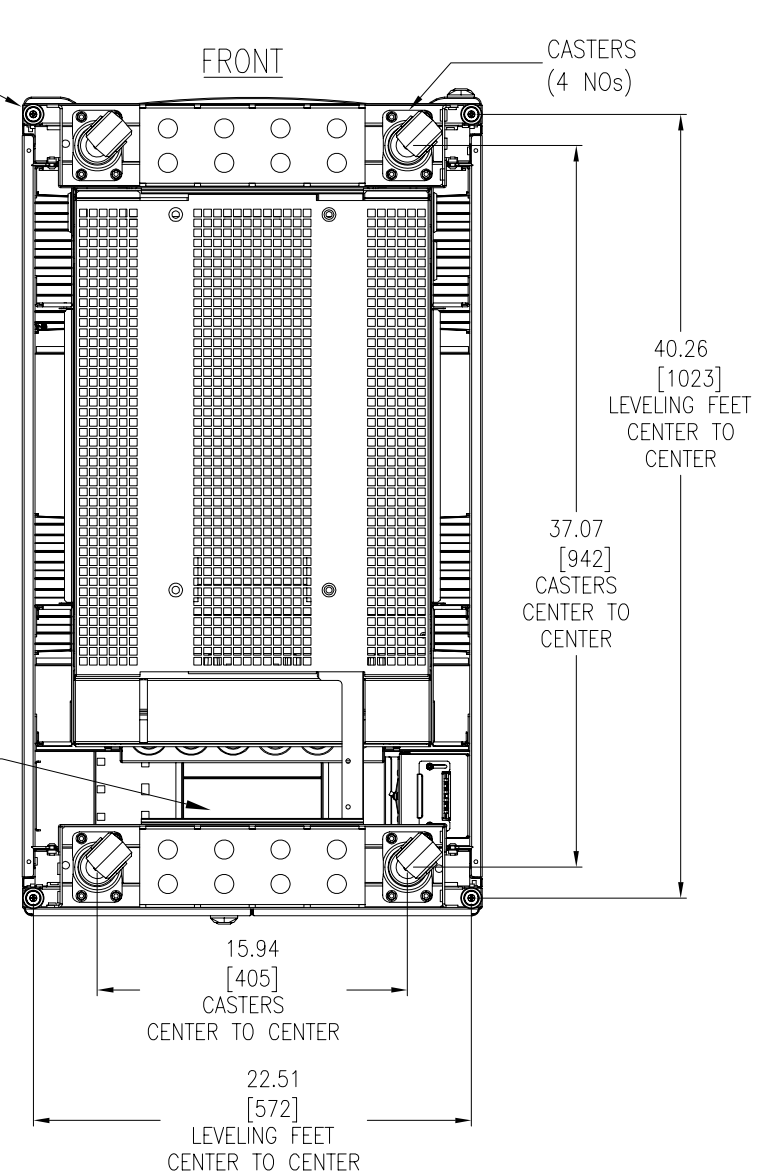
FRONT

TOP VIEW

6.88 [175] X 2.36 [60]  
4 CUTOUTS FOR CABLES  
(WITH GROMMET CAP)

ADJUSTABLE  
LEVELING FEET  
(4 NOs)

BOTTOM CABLE  
ENTRY AREA



BOTTOM VIEW

NOTES:

- PLEASE REFER TO APC PRODUCT MANUAL.
- ALL DIMENSIONS ARE IN INCHES [MILLIMETERS].
- INSTALLATION MUST COMPLY WITH ALL APPLICABLE NATIONAL AND LOCAL CODES.

THIS DRAWING AND SPECIFICATIONS HEREIN ARE THE PROPERTY OF AMERICAN POWER CONVERSION AND SHALL NOT BE COPIED, REPRODUCED OR USED IN WHOLE OR IN PART, AS THE BASIS FOR THE MANUFACTURE OR SALE OF ITEMS WITHOUT WRITTEN PERMISSION FROM APC. THIS DRAWING IS BASED UPON LATEST AVAILABLE INFORMATION AND IS SUBJECT TO CHANGE WITHOUT NOTICE.

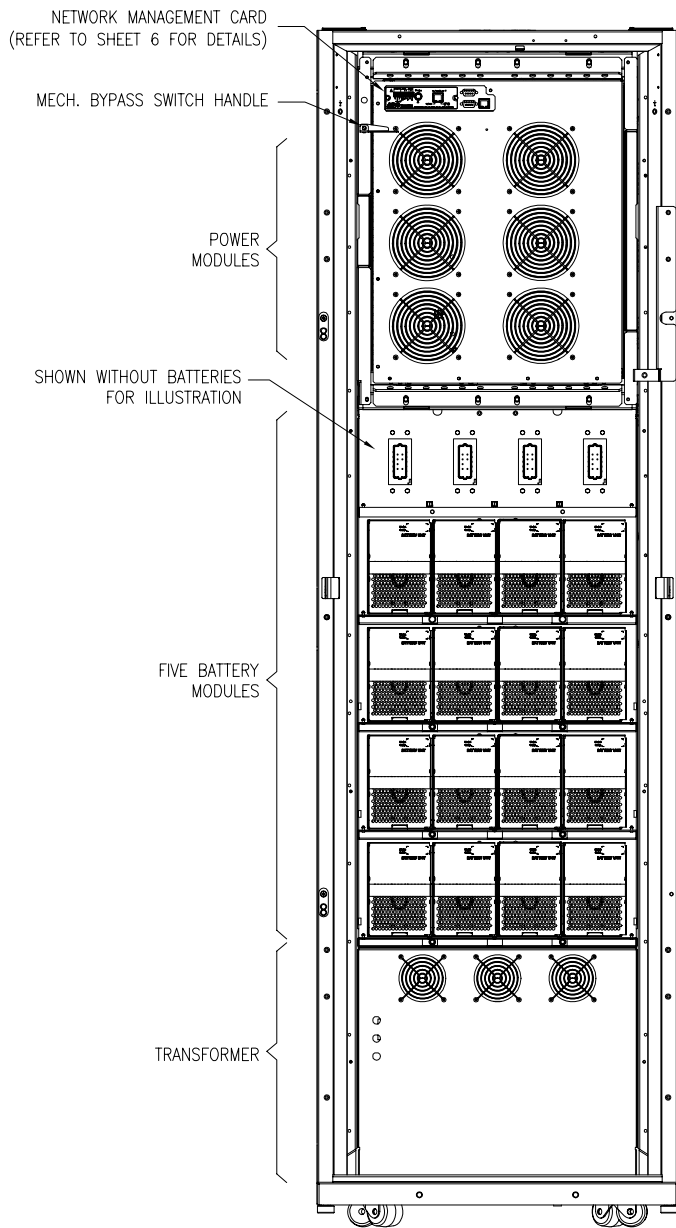
TITLE: Smart-UPS VI SX  
30kVA, 208V/120V, 208V, 3PH, W/ISO XFMR  
W/5 BATTERY MODULES W/ PDU  
TOP & BOTTOM VIEWS

PROJECT: SUBMITTAL DRAWINGS SHEET 4 OF 8

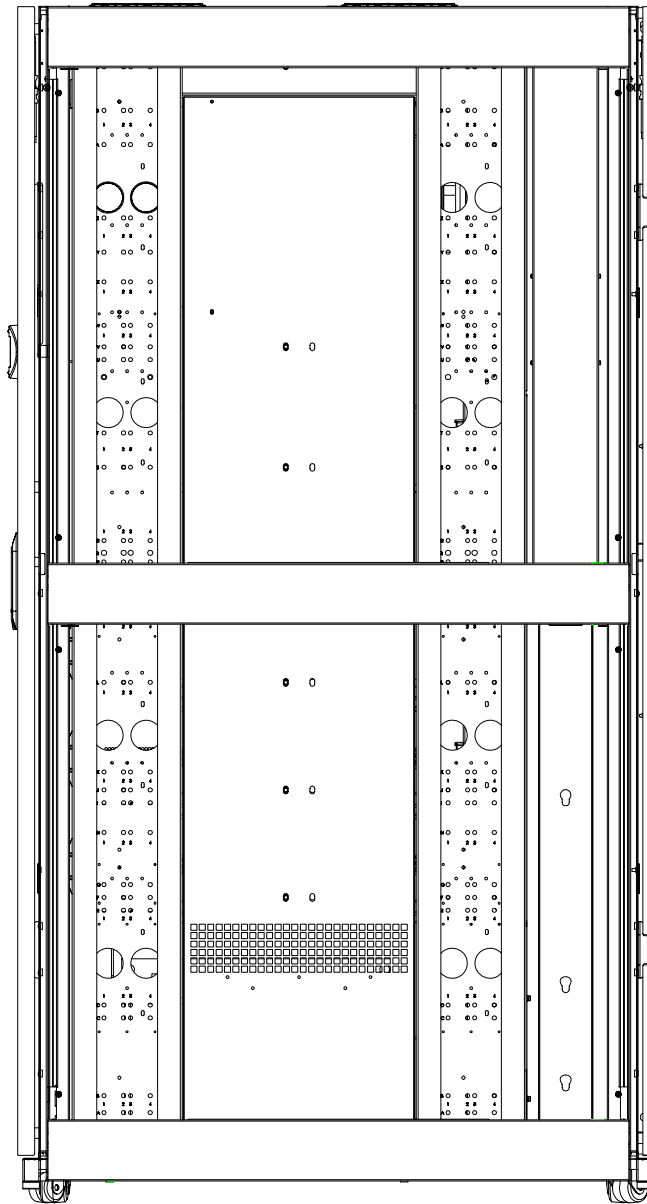
DWG NO: SUVTRT30KF5B5S-MM4 REV: -

DRAWN BY: JAYAPRAKASH	07/20/06
CHECKED BY: P.BONDE	08/09/06
ENGINEER: J.RING / E.SILVA	08/09/06

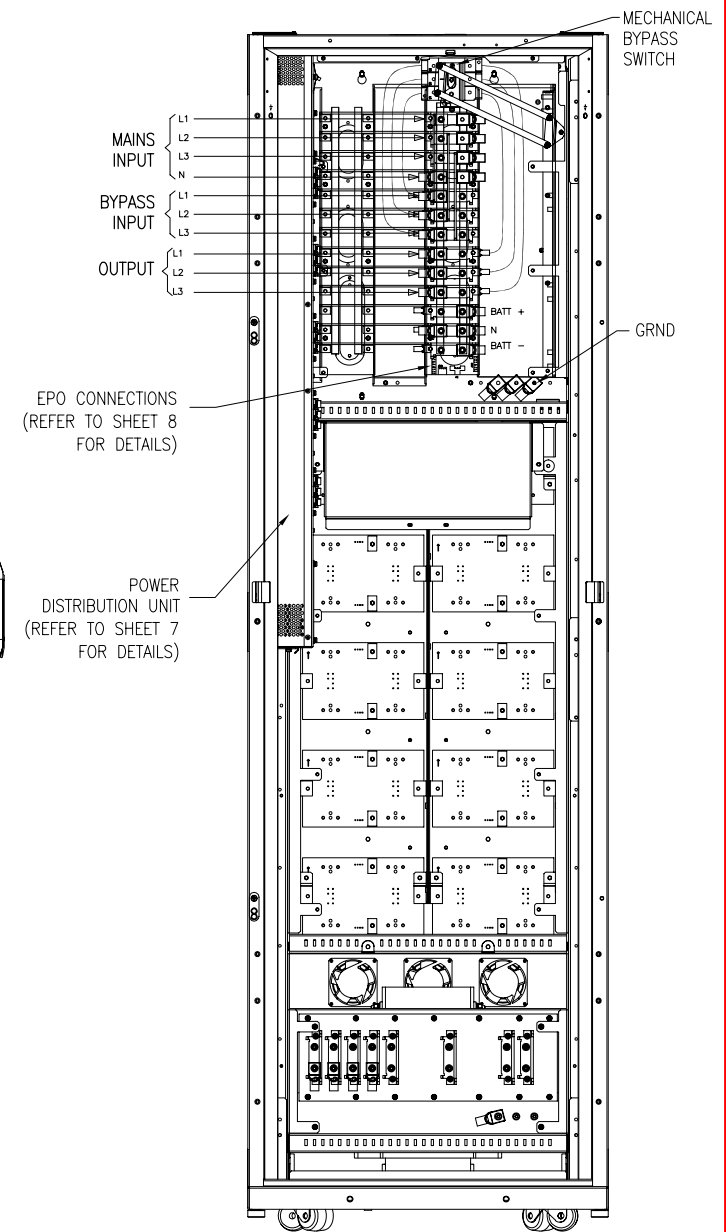




FRONT VIEW  
(WITHOUT DOOR)



SIDE VIEW  
(WITHOUT SIDE PANEL, FRONT & REAR DOOR)



REAR VIEW  
(WITHOUT DOOR)

NOTES:

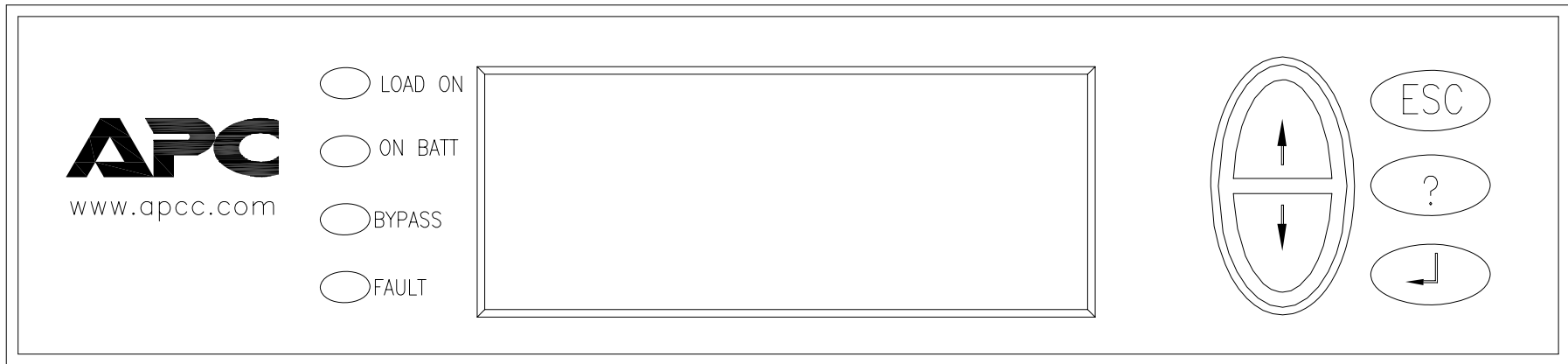
1. PLEASE REFER TO APC PRODUCT MANUAL.
2. ALL DIMENSIONS ARE IN INCHES [MILLIMETERS].
3. SUVT UPS IS DESIGNED FOR SINGLE AND DUAL MAINS.  
SINGLE MAINS INSTALLATION IS A DEFAULT.
4. INSTALLATION MUST COMPLY WITH ALL APPLICABLE NATIONAL AND LOCAL CODES.

THIS DRAWING AND SPECIFICATIONS HEREIN ARE THE PROPERTY OF AMERICAN POWER CONVERSION AND SHALL NOT BE COPIED, REPRODUCED OR USED IN WHOLE OR IN PART, AS THE BASIS FOR THE MANUFACTURE OR SALE OF ITEMS WITHOUT WRITTEN PERMISSION FROM APC. THIS DRAWING IS BASED UPON LATEST AVAILABLE INFORMATION AND IS SUBJECT TO CHANGE WITHOUT NOTICE.

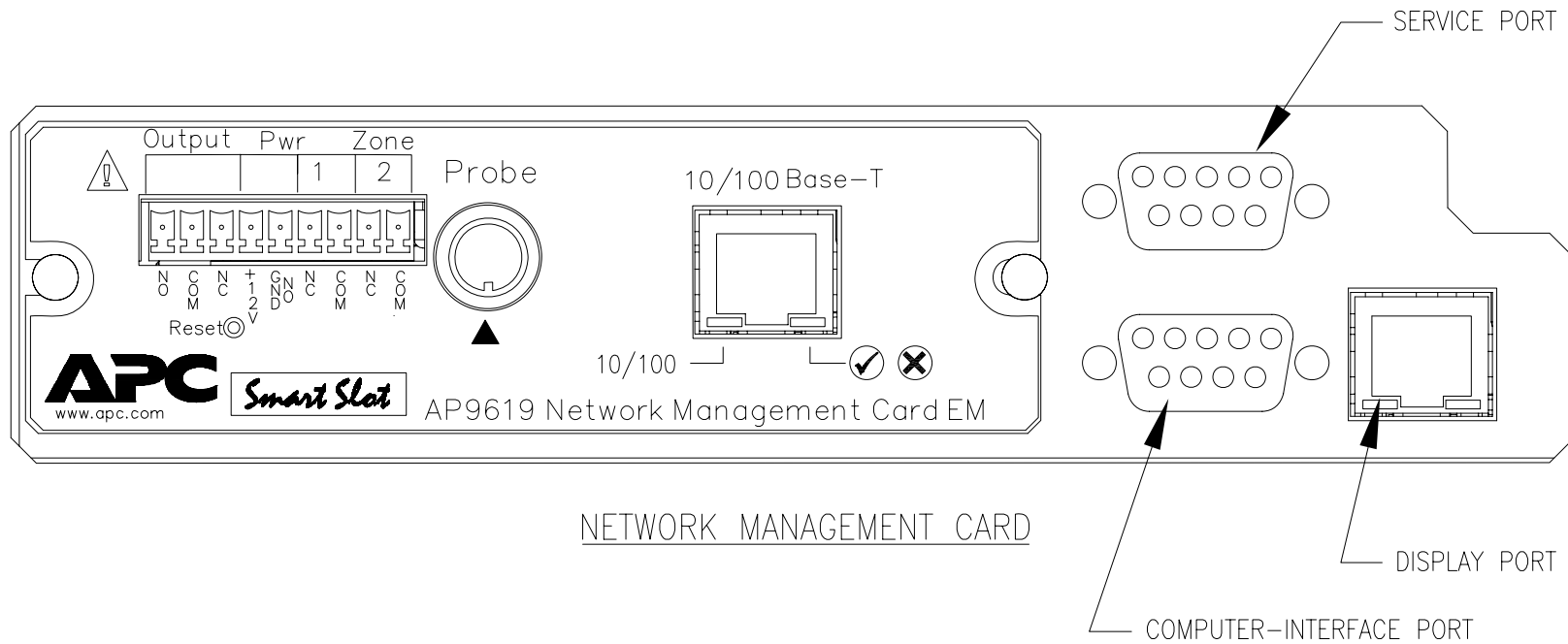
TITLE: Smart-UPS<sup>®</sup> VT ISX  
30kVA, 208V/120V, 208V, 3PH, W/ISO XFMR  
W/5 BATTERY MODULES W/ PDU  
INTERNAL VIEWS  
PROJECT: SUBMITTAL DRAWINGS SHEET 5 OF 8

DWG NO: SUVTRT30KF5B5S-ME1 REV: —  
DRAWN BY: JAYAPRAKASH 07/20/06  
CHECKED BY: P.BONDE 08/09/06  
ENGINEER: J.RING / E.SILVA 08/09/06





CONTROL PANEL



NETWORK MANAGEMENT CARD

NOTES:

- PLEASE REFER TO APC PRODUCT MANUAL.
- INSTALLATION MUST COMPLY WITH ALL APPLICABLE NATIONAL AND LOCAL CODES.

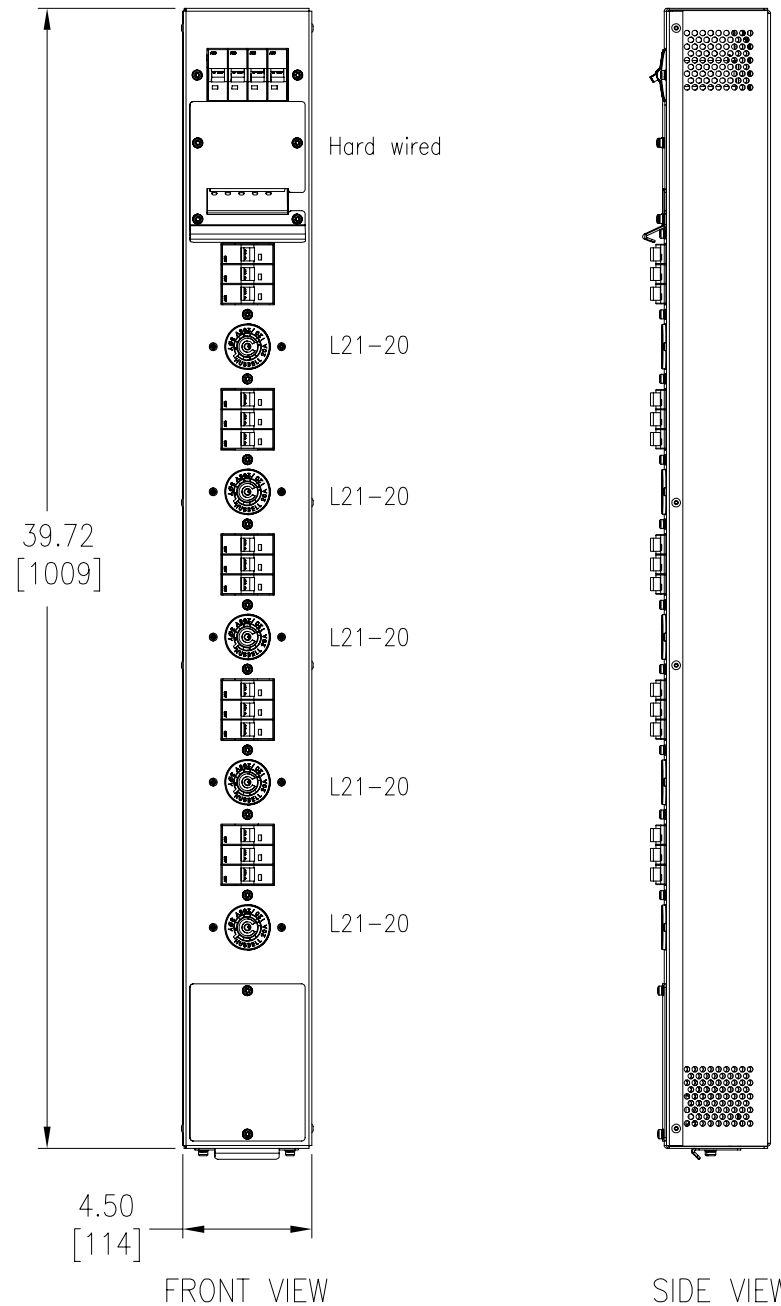
THIS DRAWING AND SPECIFICATIONS HEREIN ARE THE PROPERTY OF AMERICAN POWER CONVERSION AND SHALL NOT BE COPIED, REPRODUCED OR USED IN WHOLE OR IN PART, AS THE BASIS FOR THE MANUFACTURE OR SALE OF ITEMS WITHOUT WRITTEN PERMISSION FROM APC. THIS DRAWING IS BASED UPON LATEST AVAILABLE INFORMATION AND IS SUBJECT TO CHANGE WITHOUT NOTICE.

TITLE: Smart-UPS VT ISX  
30kVA, 208V/120V, 208V, 3PH, W/ISO XFMR  
W/5 BATTERY MODULES W/ PDU  
CONTROL PANEL AND NMC  
PROJECT: SUBMITTAL DRAWINGS SHEET 6 OF 8

DWG NO:	SUVTRT30KF5B5S-ME2	REV.	-
DRAWN BY:	JAYAPRAKASH		07/20/06
CHECKED BY:	P.BONDE		08/09/06
ENGINEER:	J.RING / E.SILVA		08/09/06



# POWER DISTRIBUTION UNIT



## NOTES:

1. PLEASE REFER TO APC PRODUCT MANUAL FOR DETAILS.
2. ALL DIMENSIONS ARE IN INCHES [MILLIMETERS].
3. INSTALLATION MUST COMPLY WITH ALL APPLICABLE NATIONAL AND LOCAL CODES.

THIS DRAWING AND SPECIFICATIONS HEREIN ARE THE PROPERTY OF AMERICAN POWER CONVERSION AND SHALL NOT BE COPIED, REPRODUCED OR USED IN WHOLE OR IN PART, AS THE BASIS FOR THE MANUFACTURE OR SALE OF ITEMS WITHOUT WRITTEN PERMISSION FROM APC. THIS DRAWING IS BASED UPON LATEST AVAILABLE INFORMATION AND IS SUBJECT TO CHANGE WITHOUT NOTICE.

TITLE: Smart-UPS VT ISX  
30kVA, 208V/120V, 208V, 3PH, W/ISO XFMR  
W/5 BATTERY MODULES W/ PDU  
POWER DISTRIBUTION UNIT

PROJECT: SUBMITTAL DRAWINGS SHEET 7 OF 8

DWG NO: SUVTRT30KF5B5S-ME3 REV: -

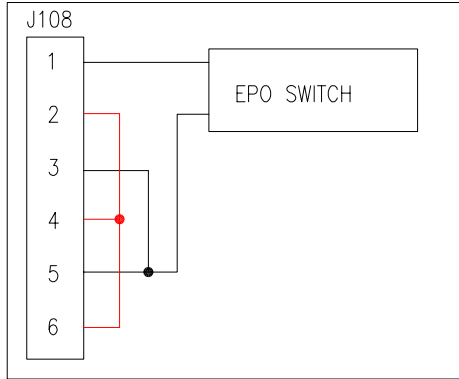
DRAWN BY: JAYAPRAKASH	07/20/06
CHECKED BY: P.BONDE	08/09/06
ENGINEER: J.RING / E.SILVA	08/09/06

**APC**<sup>®</sup>  
AMERICAN POWER CONVERSION  
132 FAIRGROUNDS RD  
WEST KINGSTON, RI 02892

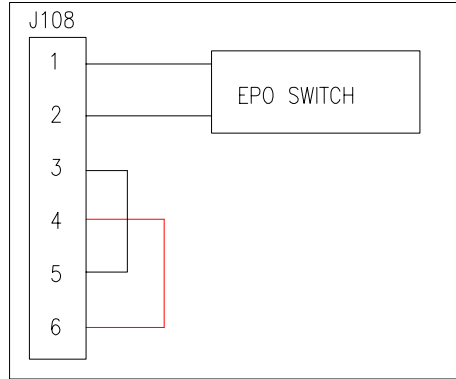
EPO WIRING OPTIONS (J108)

CONNECT THE EPO CABLE, USING ONE OF THE FOLLOWING 4 WIRING CONFIGURATIONS.

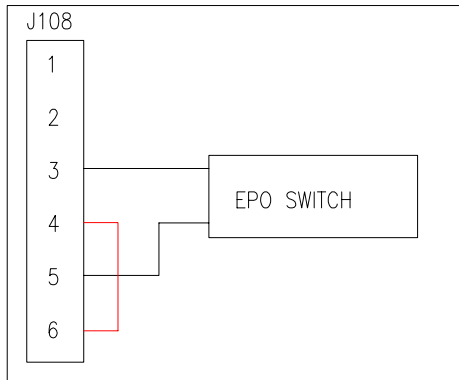
1: DRY NORMALLY OPEN CONTACTS



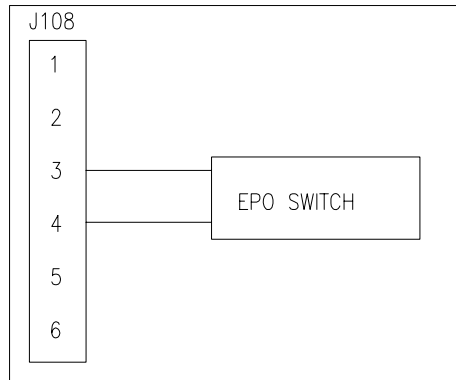
2: +24V NORMALLY OPEN



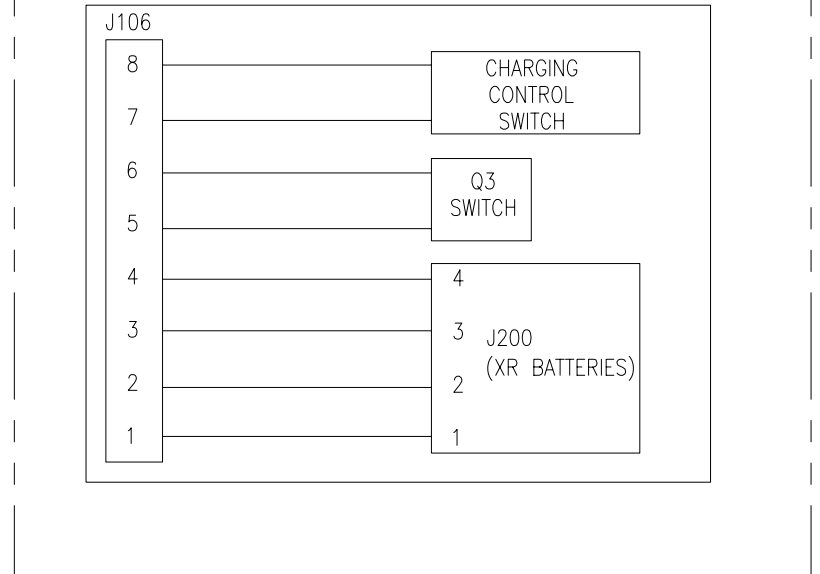
3: DRY NORMALLY CLOSED CONTACTS



4: +24V NORMALLY CLOSED



XR ENCLOSURE, APC MBP, AND GENERATOR CONTROL WIRING (J106)



NOTES:

- PLEASE REFER TO APC PRODUCT MANUAL.
- FOR COMMUNICATION CABLES USE ONLY 28-16AWG COPPER WIRE RATED MINIMUM 250V.
- INSTALLATION MUST COMPLY WITH ALL APPLICABLE NATIONAL AND LOCAL CODES.

THIS DRAWING AND SPECIFICATIONS HEREIN ARE THE PROPERTY OF AMERICAN POWER CONVERSION AND SHALL NOT BE COPIED, REPRODUCED OR USED IN WHOLE OR IN PART, AS THE BASIS FOR THE MANUFACTURE OR SALE OF ITEMS WITHOUT WRITTEN PERMISSION FROM APC. THIS DRAWING IS BASED UPON LATEST AVAILABLE INFORMATION AND IS SUBJECT TO CHANGE WITHOUT NOTICE.

TITLE: Smart-UPS VT ISX  
30kVA, 208V/120V, 208V, 3PH, W/ISO XFMR  
W/5 BATTERY MODULES W/ PDU  
EPO CIRCUIT

DWG NO: SUVTRT30KF5B5S-ME4  
DRAWN BY: JAYAPRAKASH  
CHECKED BY: P.BONDE  
ENGINEER: J.RING / E.SILVA

REV: -  
07/20/06  
08/09/06  
08/09/06

**APC**  
AMERICAN POWER CONVERSION  
132 FAIRGROUNDS RD  
WEST KINGSTON, RI 02892

PROJECT: SUBMITTAL DRAWINGS SHEET 8 OF 8